



## Backward Curved Centrifugal Fan with Conventional Plastic Impeller



# Φ 133

Rotor Material: Aluminum Die-casting

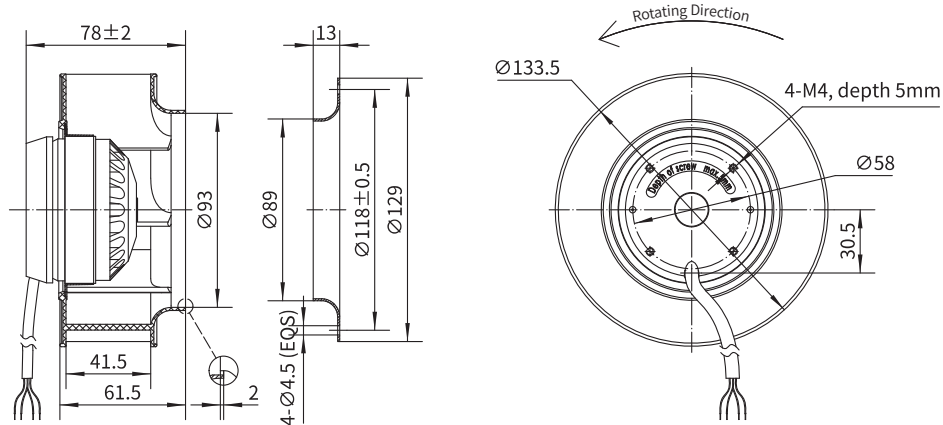
Impeller Material: Plastic

Ingress Protection: IP44

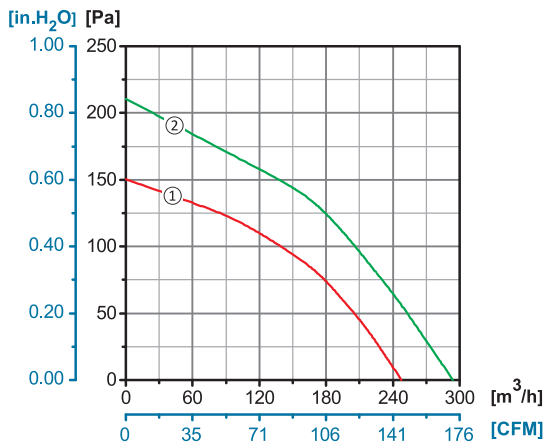
Insulation Class: F

Bearing Type: Maintenance Free Ball Bearing

### Dimensional Drawings



### Performance Curves



Model No.	Voltage	Frequency	Current	Power	Speed	Capacitor	Air Flow (0 Pa)	Noise	Curve	Working Temp.	Approvals
	V	Hz	A	W	RPM	$\mu\text{F}$	$[\text{m}^3/\text{h}]/[\text{CFM}]$	dB(A)	No.	Min/Max ( $^{\circ}\text{C}$ )	
YWF.B2S-133-060AB0A	110/120	60	0.26	30	3150	4	280/160	60	②	-30/+60	UL
YWF.B2S-133-060AB00	220/230	50	0.12	25	2750	2.5	220/130	54	①	-30/+60	CCC, CE
	220/230	60	0.10	23	3200	2.5	280/160	60	②	-30/+60	CE