



Plastic Airfoil Blade Axial Fan

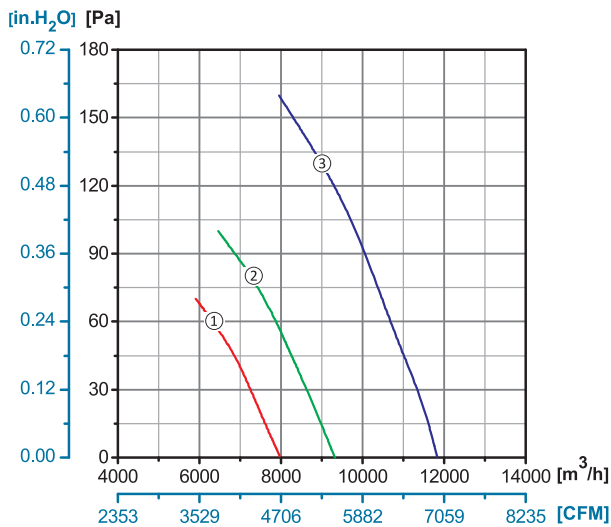
ErP2015
EXCEEDS THE NORM



Φ560

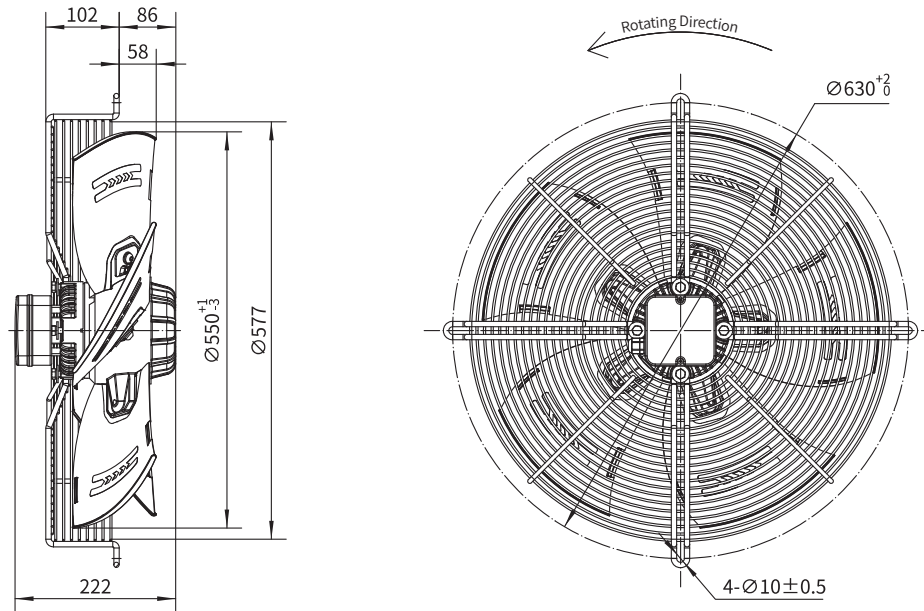
Rotor Material: Aluminum Die-casting
Impeller Material: Plastic
Ingress Protection: IP54
Insulation Class: F
Bearing Type: Maintenance Free Ball Bearing

Performance Curves

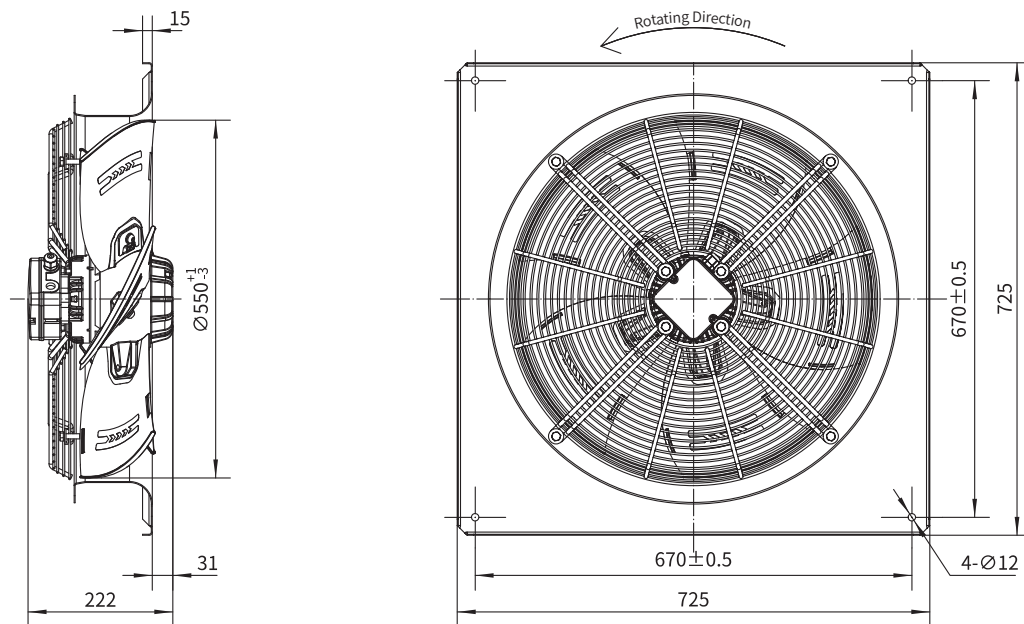



Type B	Type C	Type D	Type E	Type F0
YWF.A4T-560S-5B AP0	YWF.A4T-560S-5C AP0	YWF.A4T-560S-5D AP0	YWF.A4T-560S-5E AP0	YWF.A4T-560S-5F AP0
YWF.A6S-560S-5B AP0	YWF.A6S-560S-5C AP0	YWF.A6S-560S-5D AP0	YWF.A6S-560S-5E AP0	YWF.A6S-560S-5F AP0
YWF.A6T-560S-5B AP0	YWF.A6T-560S-5C AP0	YWF.A6T-560S-5D AP0	YWF.A6T-560S-5E AP0	YWF.A6T-560S-5F AP0

Type B



Type F1



	Voltage	Frequency	Current	Power	Speed	Capacitor	Air Flow (0 Pa)	Noise	Curve	Working Temp.	Approvals
Type F1	V	Hz	A	W	RPM	μF	$[\text{m}^3/\text{h}]/[\text{CFM}]$	dB(A)	No.	Min/Max($^{\circ}\text{C}$)	
YWF.A4T-560S-5F AP1	380/400	50	1.8	950	1340	/	12000/7060	74	③	-30/+60	CCC, CE
YWF.A6S-560S-5F AP1	220/230	50	2.04	380	930	12	7950/4676	65	①	-30/+60	CCC, CE
	220/230	60	2.52	550	1060	12	9270/5453	69	②	-30/+60	CCC, CE
YWF.A6T-560S-5F AP1	380/400	50	1.36	380	940	/	7970/4688	65	①	-30/+60	CCC, CE
	380/400	60	1.26	530	1080	/	9330/5488	70	②	-30/+60	CCC, CE

