

EC High-efficiency Backward Curved Centrifugal Fan

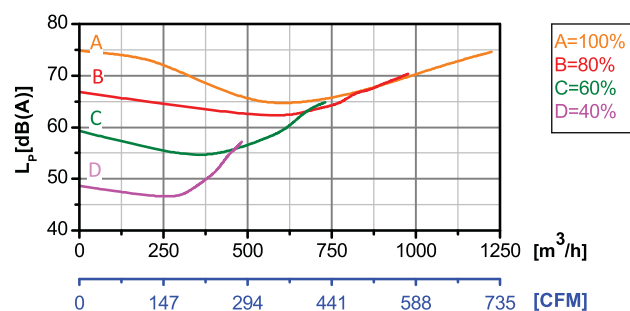
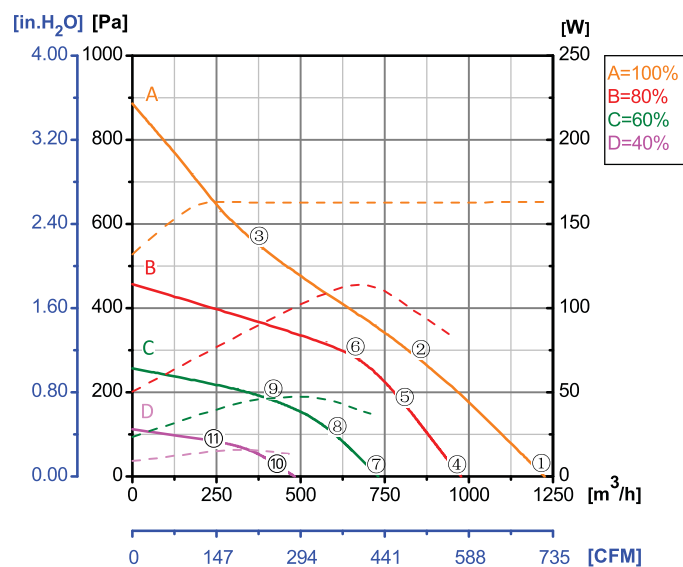
Erp2015  
EXCEEDS THE NORM



Φ 220

Rotor Material: Carbon steel  
Impeller Material: Plastic  
Ingress Protection: IP54  
Insulation Class: F  
Bearing Type: Maintenance free ball bearing

Performance Curves

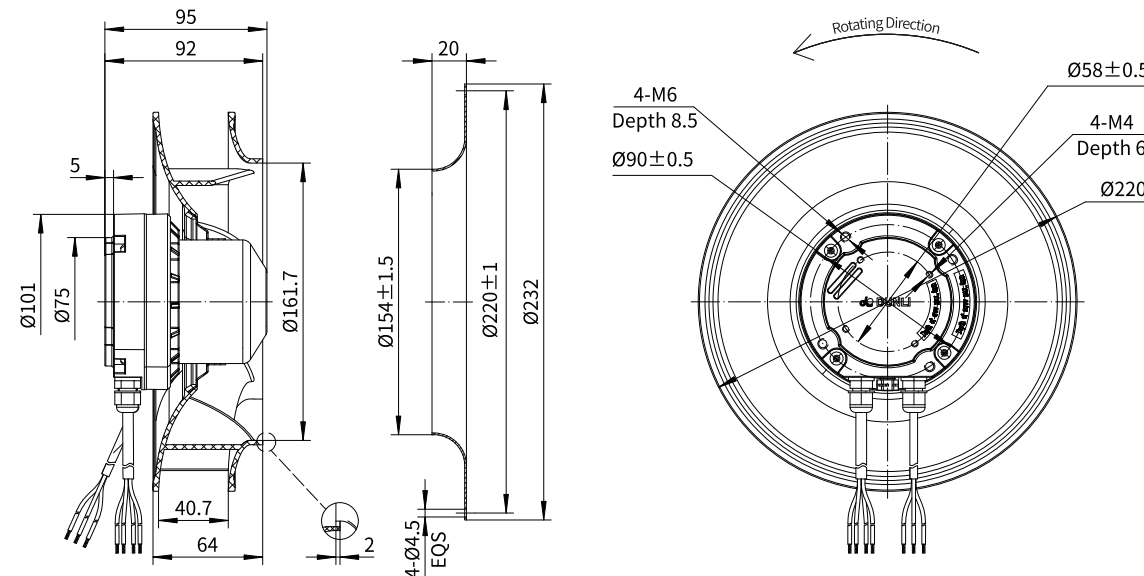


Test Point	Speed	Input Power
	rpm	W
1	3516	163
2	3172	163
3	3261	163
4	2812	82
5	2813	101
6	2812	115
7	2108	36
8	2112	44
9	2112	47
10	1403	13
11	1401	16
12	/	/

Erp2015 Data:  
Efficiency η<sub>statA</sub>=50.8%  
Efficiency grade N<sub>actual</sub>=69.6, N<sub>target</sub>=62  
Test report No. : L-20210810-008-001

Model No.	Voltage	Frequency	Speed	Input Power	Current	Working Temp.	APProvals
	VAC	Hz	RPM	W	A	Min/Max (°C)	
EC72-B220-B36	1~220/230	50/60	3500	165	1.20	-20/+60	CCC,CE

Motorized Backward Curved Impeller



With Supporting Rack

