

EC High-efficiency Backward Curved Centrifugal Fan

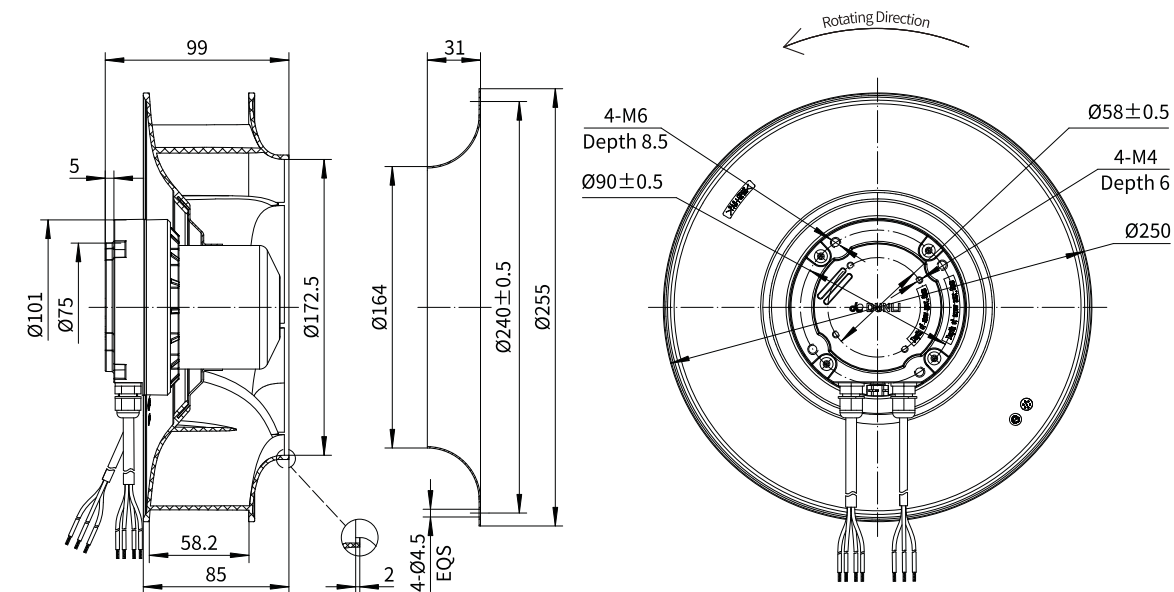
Erp2015
EXCEEDS THE NORM

Motorized Backward Curved Impeller

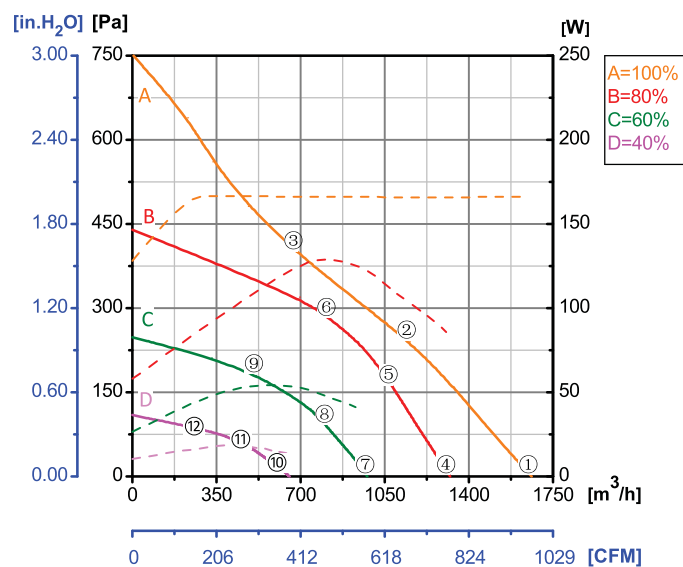


Φ 250

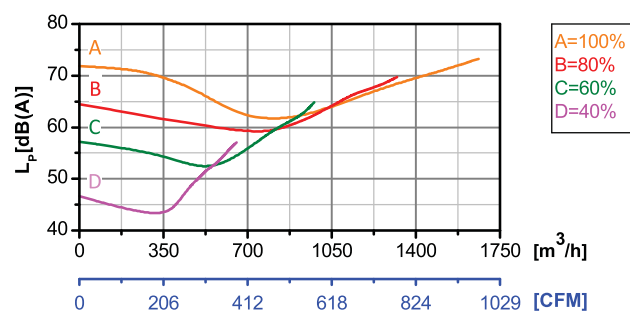
Rotor Material: Carbon steel
Impeller Material: Plastic
Ingress Protection: IP54
Insulation Class: F
Bearing Type: Maintenance free ball bearing



Performance Curves



Test Point	Speed	Input Power
	rpm	W
1	2879	166
2	2569	166
3	2498	166
4	2301	84
5	2301	111
6	2301	129
7	1728	39
8	1727	47
9	1727	55
10	1150	14
11	1150	16
12	1149	18



Erp2015 Data:
Efficiency η_{statA} = 56%
Efficiency grade N_{actual} = 74.6, N_{target} = 62
Test report No. : L-20210810-010-001

Model No.	Voltage	Frequency	Speed	Input Power	Current	Working Temp.	Approvals
	VAC	Hz	RPM	W	A	Min/Max (°C)	
EC72-B250-B33	1~220/230	50/60	2880	165	1.16	-20/+60	CCC,CE

High-efficiency B/C Centrifugal