

DC High-efficiency Backward Curved Centrifugal Fan

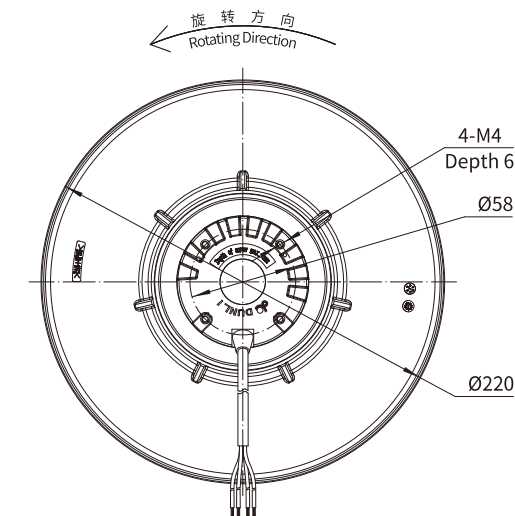
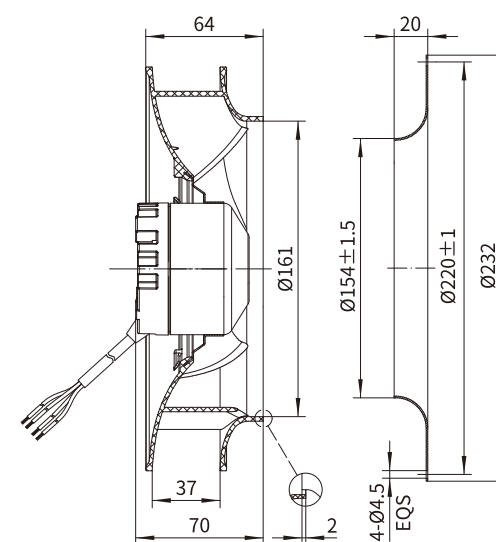
Erp2015
EXCEEDS THE NORM

Motorized Backward Curved Impeller (24V & 48V)

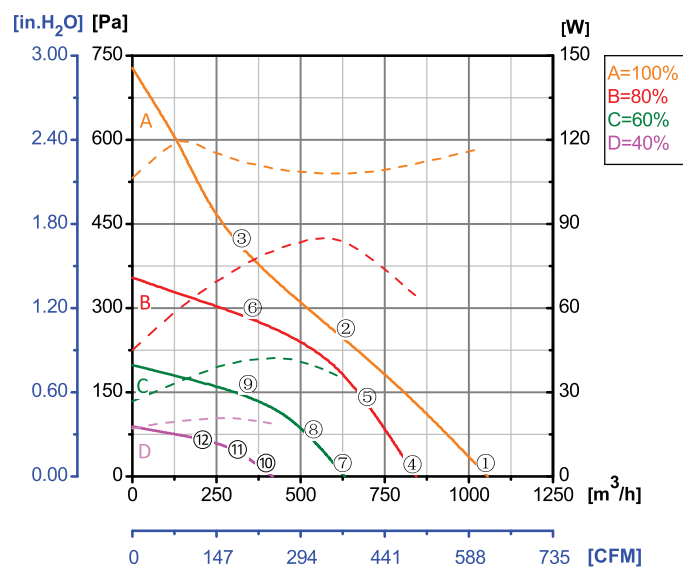


Φ 220

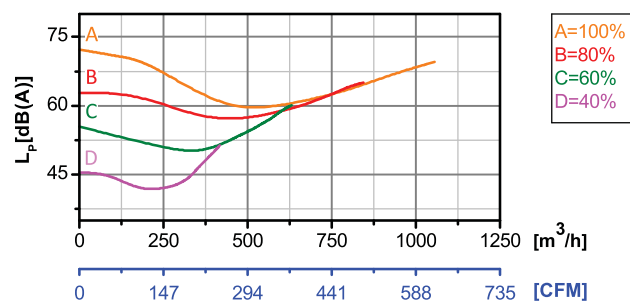
Rotor Material: Carbon steel
Impeller Material: Plastic
Ingress Protection: IP42
Insulation Class: F
Bearing Type: Maintenance free ball bearing



Performance Curves

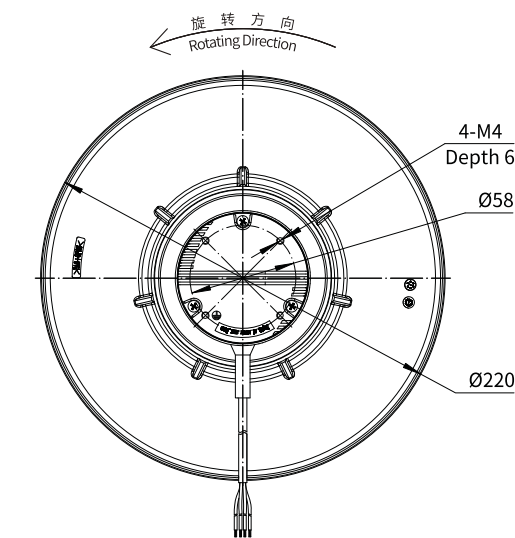
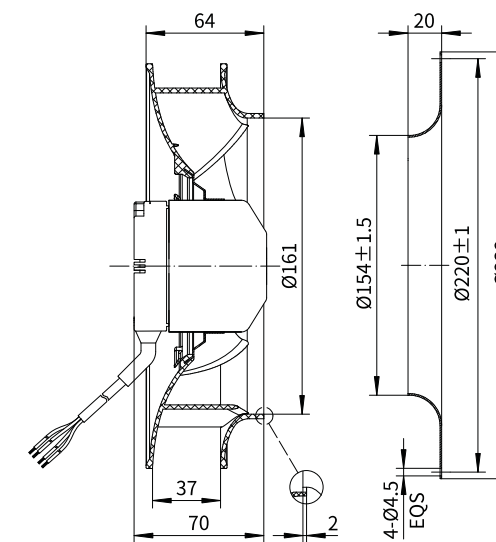


Test Point	Speed	Input Power
	rpm	W
1	2950	118
2	2554	107
3	2730	112
4	2361	64
5	2363	78
6	2361	79
7	1770	34
8	1771	39
9	1770	42
10	1178	19
11	1179	20
12	1178	20



Erp2015 Data:
Efficiency $\eta_{statA} = \% < 125W$
Efficiency grade $N_{actual} = \%, N_{target} = 62$
Test report NO.: L-20210302-005-108

Motorized Backward Curved Impeller (310V)



Model No.	Voltage	Frequency	Speed	Input Power	Current	Working Temp.	APProvals
	VAC	Hz	RPM	W	A	Min/Max (°C)	
DC72-B220-A01	24	/	3000	120	5.00	-20/+60	CE
DC72-B220-C01	48	/	3000	120	2.50	-20/+60	CCC,CE
DC72-B220-D10	310	/	3000	120	0.39	-20/+60	CCC,CE