

DC Conventional Carbon Steel Blade Axial Fan

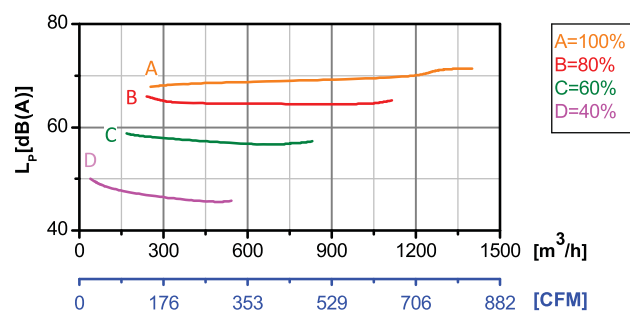
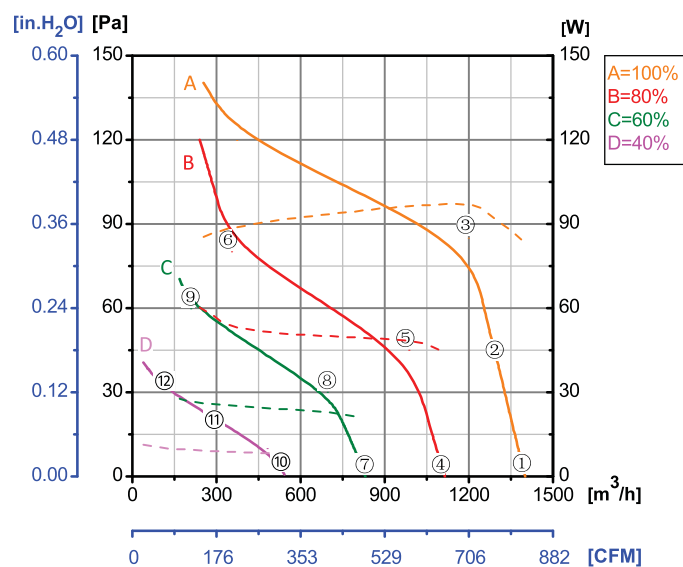
ErP2015  
EXCEEDS THE NORM



Φ 200

Rotor Material: Carbon steel  
Blade Material: Carbon steel  
Ingress Protection: IP42  
Insulation Class: F  
Bearing Type: Maintenance free ball bearing

Performance Curves

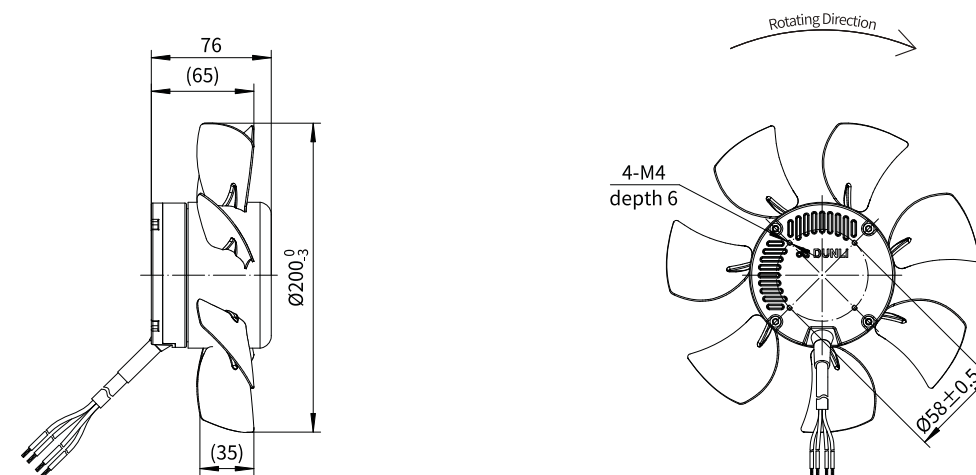


Test Point	Speed	Input Power
	rpm	W
1	3193	83
2	3193	90
3	3171	98
4	2555	44
5	2551	49
6	2546	51
7	1917	21
8	1917	23
9	1913	26
10	1279	8
11	1278	9
12	1278	11

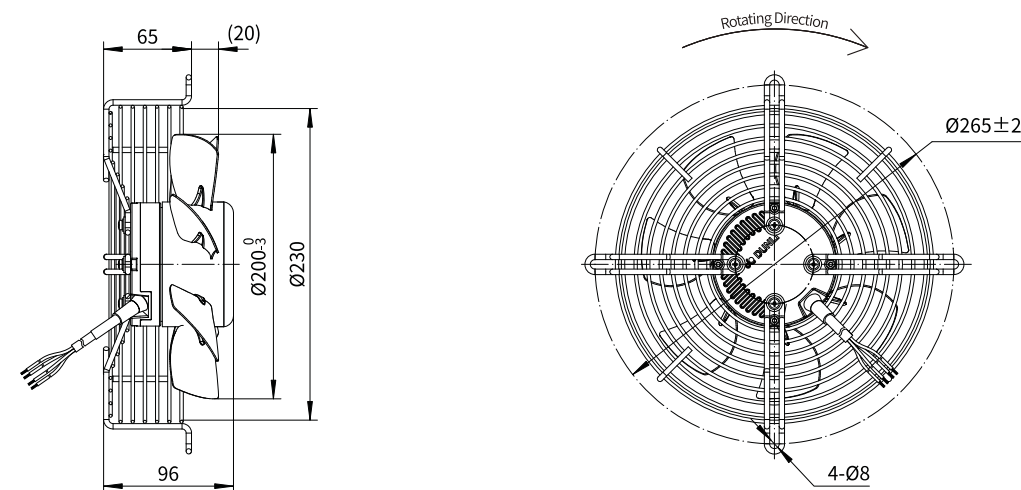
Erp2015 Data:  
Efficiency  $\eta_{statA} = 30.7\%$ ,  $\leq 125W$   
Efficiency grade  $N_{actual} = *$ ,  $N_{target} = 40$   
Test report No. : L-20210302-004-073

Model No.	Voltage	Frequency	Speed	Input Power	Current	Working Temp.	Approvals
	VAC	Hz	RPM	W	A	Min/Max (°C)	
DC92-A200-040	24	/	3100	95	3.96	-20/+60	CE
DC92-A200-C40	48	/	3100	95	1.98	-20/+60	CCC,CE
DC92-A200-D40	310	/	3100	95	0.31	-20/+60	CCC,CE

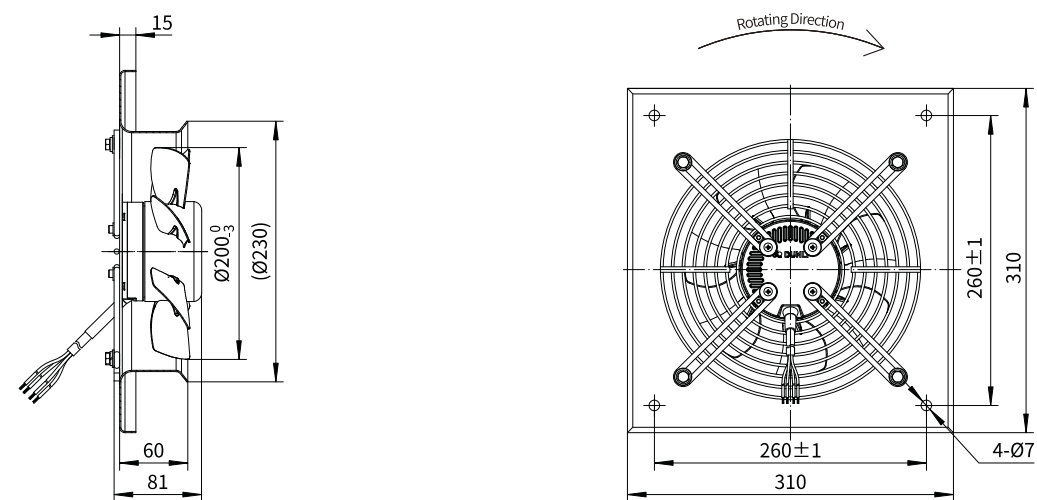
Type A



Type D



Type F



Conventional Steel Blade Axial