

EC Conventional Carbon Steel Blade Axial Fan

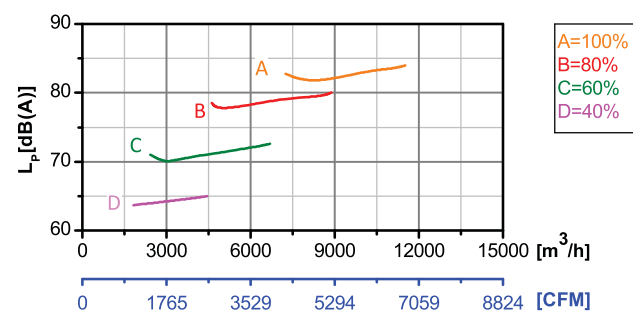
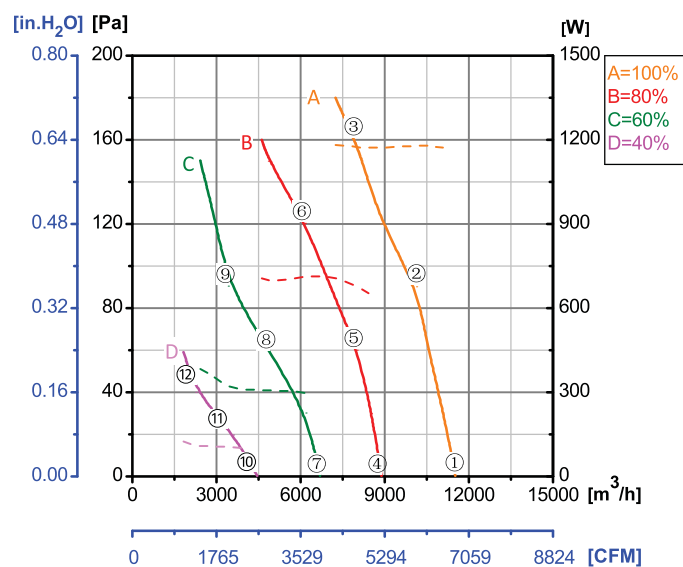
Erp2015
EXCEEDS THE NORM



Φ 550

Rotor Material: Carbon steel
Blade Material: Carbon steel
Ingress Protection: IP54
Insulation Class: F
Bearing Type: Maintenance free ball bearing

Performance Curves

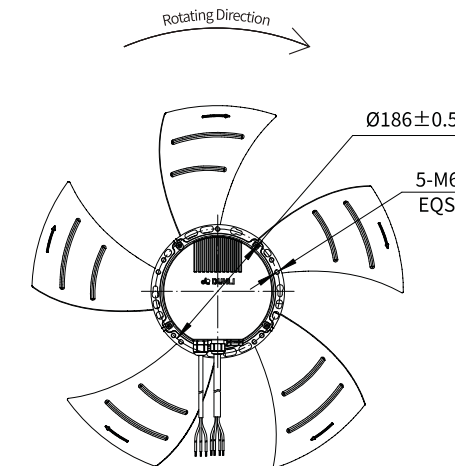
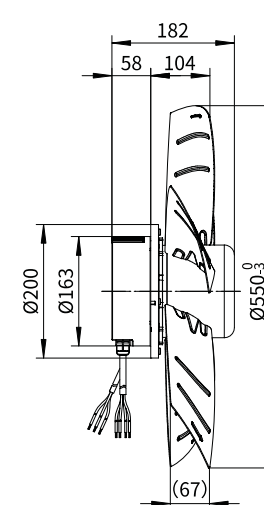


Test Point	Speed	Input Power
	rpm	W
1	1721	1171
2	1662	1179
3	1642	1177
4	1380	605
5	1382	675
6	1383	713
7	1031	272
8	1036	307
9	1038	309
10	695	97
11	695	106
12	697	107

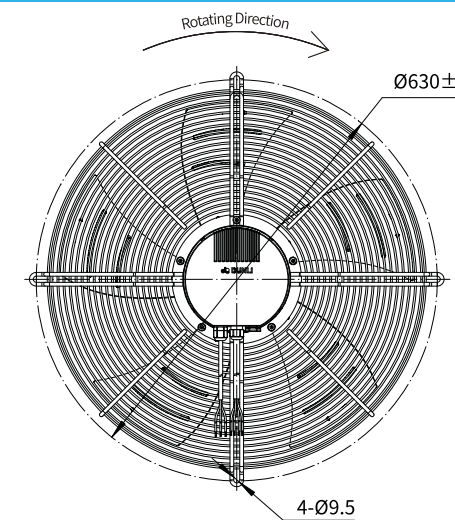
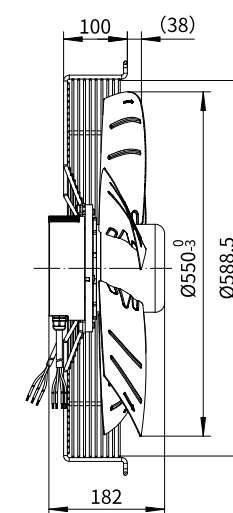
Erp2015 Data:
Efficiency η_{statA} = 33.8%
Efficiency grade N_{actual} = 40, N_{target} = 40
Test report No. : L-20211022-015-111

Model No.	Voltage	Frequency	Speed	Input Power	Current	Working Temp.	Approvals
	VAC	Hz	RPM	W	A	Min/Max (°C)	
EC137-A550-C05	3~380/400	50/60	1800	1100	1.80	-20/+60	CCC,CE

Type A



Type D



Conventional Steel Blade Axial