

EC Forward Curved Centrifugal Fan and Blower

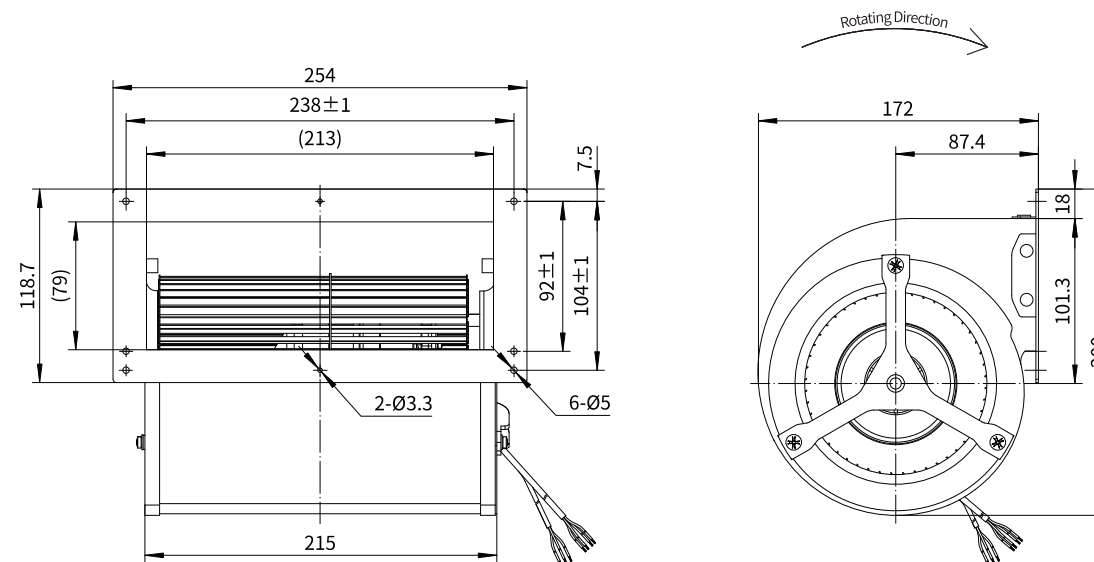
ErP2015  
EXCEEDS THE NORM

Blower

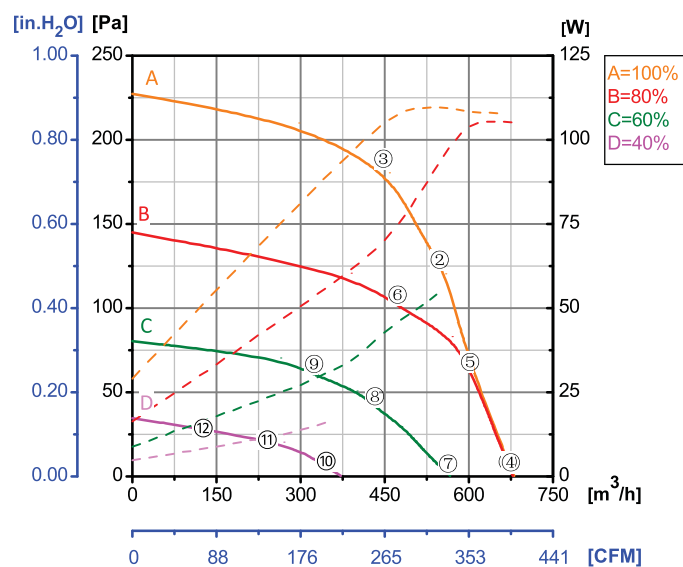


Φ 133-L (Dual-inlet)

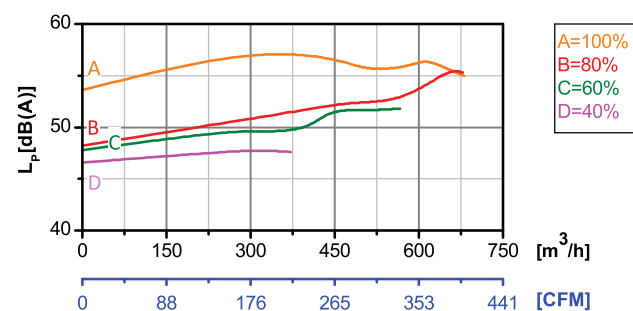
- Rotor Material: Carbon steel
- Housing Material: Carbon steel
- Impeller Material: Galvanized steel sheet
- Ingress Protection: IP44
- Insulation Class: F
- Bearing Type: Maintenance free ball bearing



Performance Curves



Test Point	Speed	Input Power
	rpm	W
1	1646	107
2	2035	110
3	2222	108
4	1644	105
5	1791	105
6	1837	73
7	1382	57
8	1394	41
9	1392	29
10	931	17
11	931	15
12	927	12



Erp2015 Data:  
 Efficiency  $\eta_{statA} = *% < 125W$   
 Efficiency grade  $N_{actual} = *, N_{target} = 44$   
 Test report No. : L-20210302-003-013

Model No.	Voltage	Frequency	Speed	Input Power	Current	Working Temp.	APPROVALS
	VAC	Hz	RPM	W	A	Min/Max (°C)	
EC72-F133-004	1~220/230	50/60	1730	105	0.86	-20/+60	CCC,CE