



Backward Curved Centrifugal Fan with Aileron Impeller



Φ 250

Rotor Material: Aluminum Die-casting

Impeller Material: Plastic

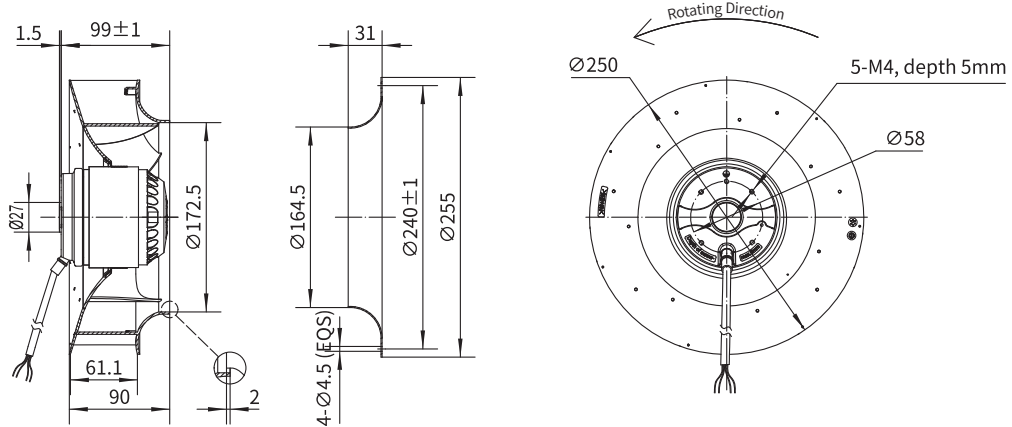
Ingress Protection: IP44

Insulation Class: F

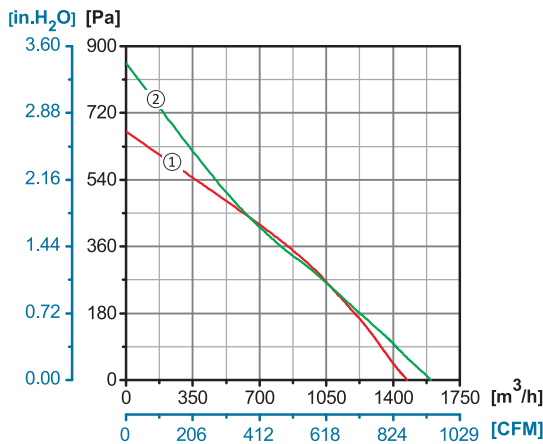
Bearing Type: Maintenance Free Ball Bearing

Aileron Impeller Centrifugal

Dimensional Drawings



Performance Curves



Model No.	Voltage	Frequency	Current	Power	Speed	Capacitor	Air Flow (0 Pa)	Noise	Curve	Working Temp.	Approvals
	V	Hz	A	W	RPM	μF	[m³/h]/[CFM]	dB(A)	No.	Min/Max (°C)	
YWF.B2S-250-090AB2A	110/120	60	2.1	229	2840	28	1600/920	82	②	-30/+60	
YWF.B2S-250-090AB20	220/230	50	0.75	160	2600	7	1475/850	79	①	-30/+60	CCC, CE
	220/230	60	1.10	230	2780	7	1600/920	82	②	-30/+60	CE

