

DC Backward Centrifugal Fan with Metal Impeller

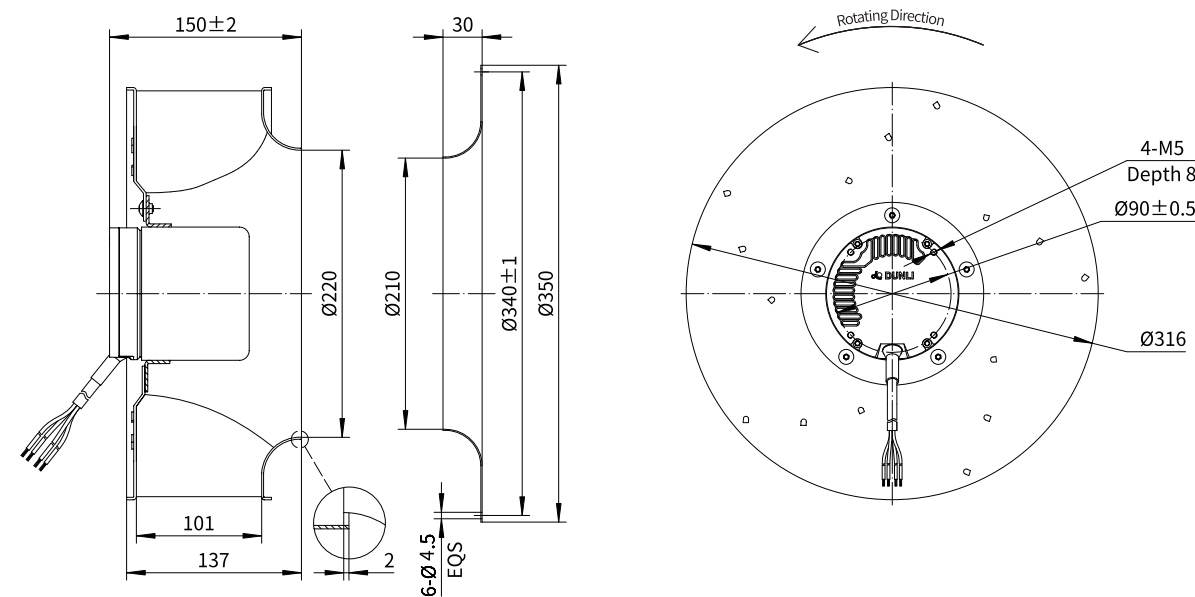
Erp2015
EXCEEDS THE NORM

Motorized Backward Curved Impeller

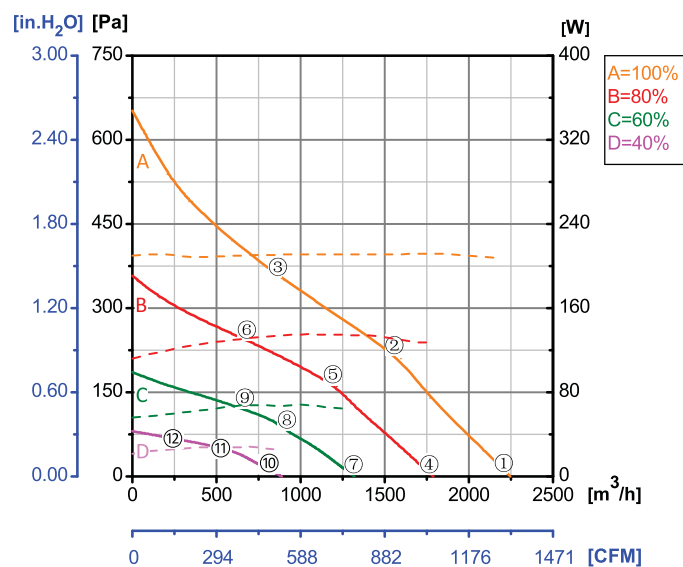


Φ 310

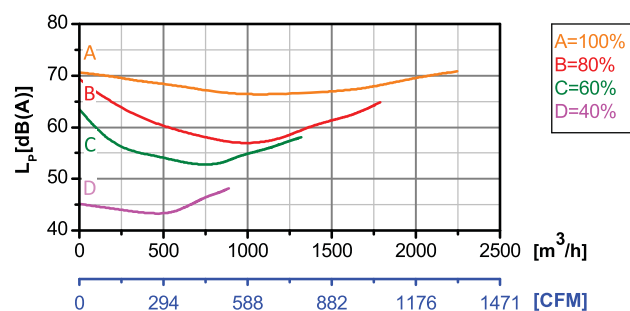
Rotor Material: Carbon steel
Impeller Material: Aluminum alloy sheet
Ingress Protection: IP42
Insulation Class: F
Bearing Type: Maintenance free ball bearing



Performance Curves



Test Point	Speed	Input Power
	rpm	W
1	1852	208
2	1711	210
3	1739	211
4	1478	127
5	1404	134
6	1430	132
7	1092	61
8	1048	67
9	1061	69
10	741	26
11	724	28
12	728	28



Erp2015 Data:
Efficiency η_{statA}=52.5%
Efficiency grade N_{actual}=70, N_{target}=62
Test report No. : L-20210302-005-112

Model No.	Voltage	Frequency	Speed	Input Power	Current	Working Temp.	APPROVALS
	VAC	Hz	RPM	W	A	Min/Max (°C)	
DC102-B310-004	48	/	1860	230	4.80	-20/+60	CCC,CE