

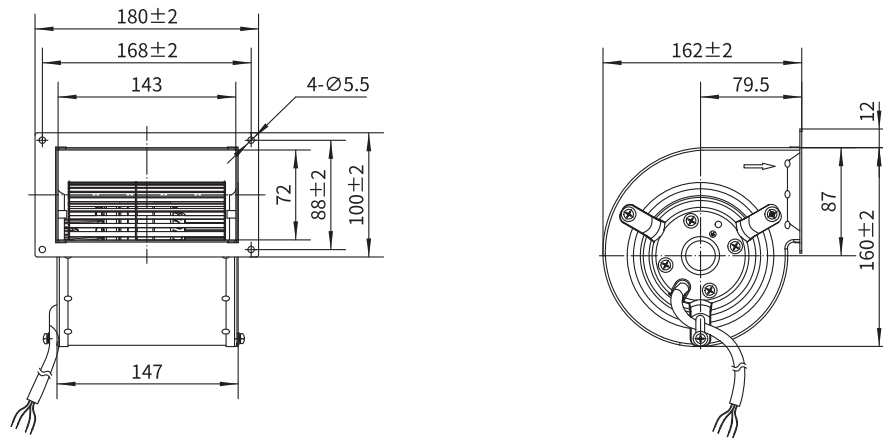
Forward Curved Blower (Dual-inlet)



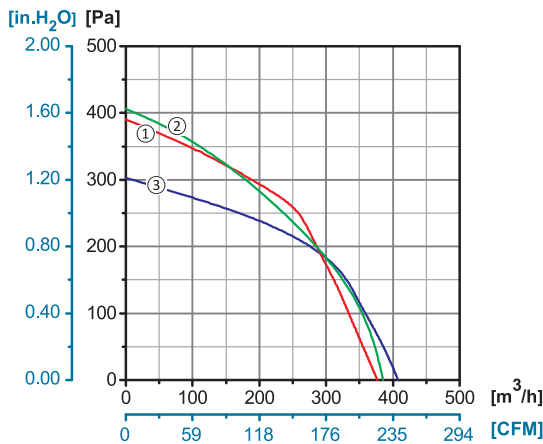
Φ 120

Rotor Material: Aluminum Die-casting
 Impeller Material: Galvanized Steel Sheet
 Ingress Protection: IP44
 Insulation Class: F
 Bearing Type: Maintenance Free Ball Bearing

Dimensional Drawings



Performance Curves



Model No.	Voltage	Frequency	Current	Power	Speed	Capacitor	Air Flow (0 Pa)	Noise	Curve	Working Temp.	Approvals
	V	Hz	A	W	RPM	µF	[m³/h]/[CFM]	dB(A)	No.	Min/Max (°C)	
YWF.F2S-120-120AA2A	110/120	60	1.10	130	1650	10	385/225	59	②	-30/+60	
YWF.F2S-120-120AA20	220/230	50	0.45	95	1625	3	408/240	60	③	-30/+60	CCC, CE
	220/230	60	0.51	113	1524	3	377/221	57	①	-30/+60	CE

