



Plastic Airfoil Blade Axial Fan

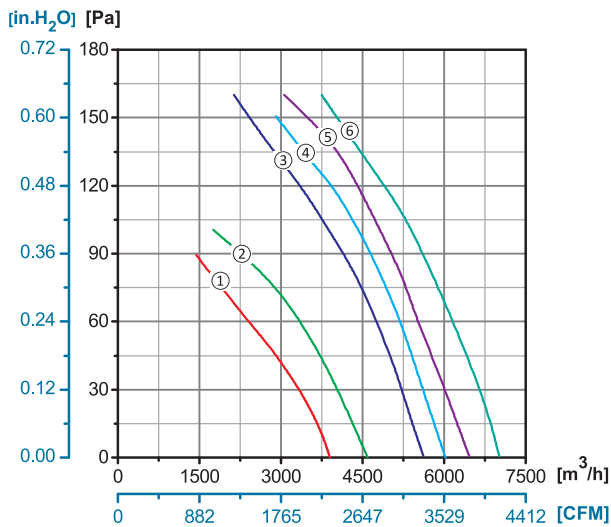
ErP2015
EXCEEDS THE NORM



Φ450

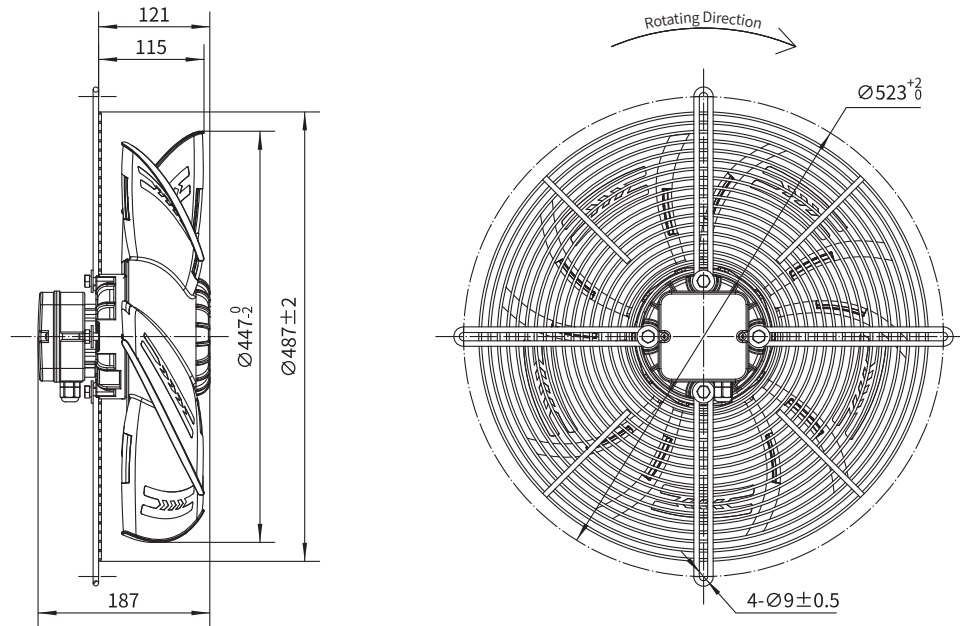
Rotor Material: Aluminum Die-casting
Impeller Material: Plastic
Ingress Protection: IP54
Insulation Class: F
Bearing Type: Maintenance Free Ball Bearing

Performance Curves

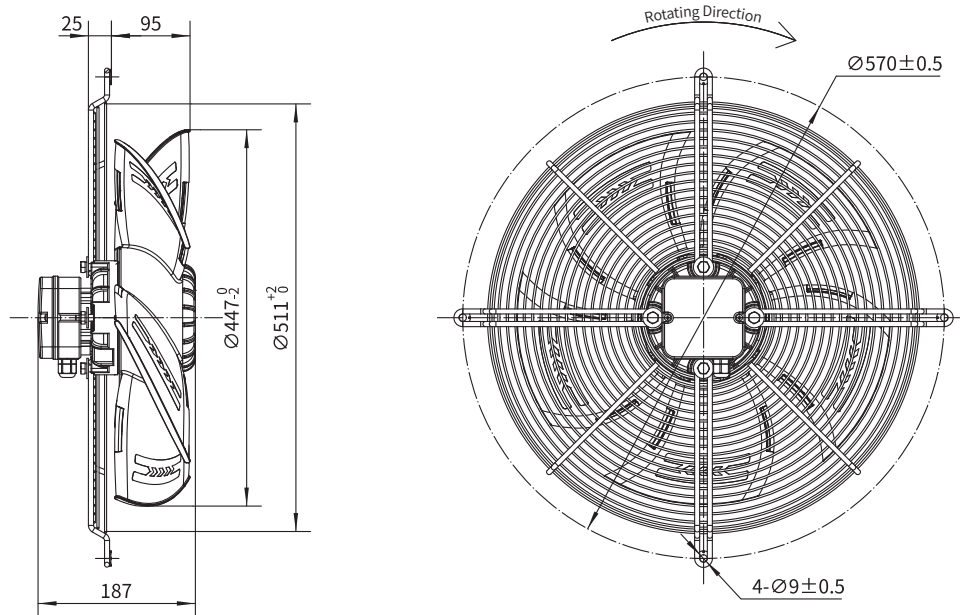



Type B	Type C	Type D	Type E	Type F0
YWF.A4S-450S-5B AP0	YWF.A4S-450S-5C AP0	YWF.A4S-450S-5D AP0	YWF.A4S-450S-5E AP0	YWF.A4S-450S-5F AP0
YWF.A4T-450S-5B AP0	YWF.A4T-450S-5C AP0	YWF.A4T-450S-5D AP0	YWF.A4T-450S-5E AP0	YWF.A4T-450S-5F AP0
YWF.A6S-450S-5B AP0	YWF.A6S-450S-5C AP0	YWF.A6S-450S-5D AP0	YWF.A6S-450S-5E AP0	YWF.A6S-450S-5F AP0
YWF.A6T-450S-5B AP0	YWF.A6T-450S-5C AP0	YWF.A6T-450S-5D AP0	YWF.A6T-450S-5E AP0	YWF.A6T-450S-5F AP0

Type B



Type C



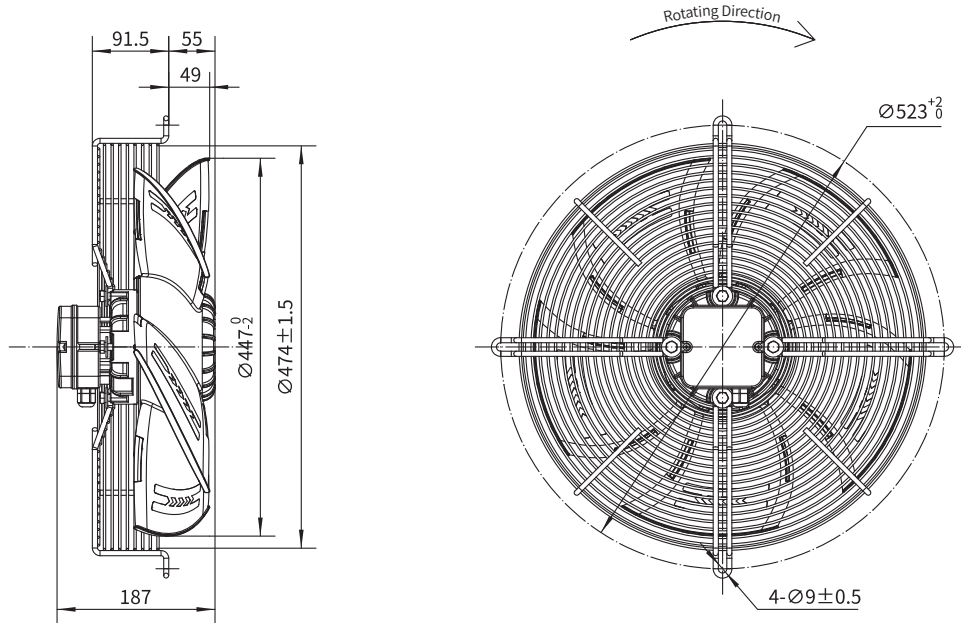
	Voltage	Frequency	Current	Power	Speed	Capacitor	Air Flow (0 Pa)	Noise	Curve	Working Temp.	Approvals
Type F1	V	Hz	A	W	RPM	μF	$[\text{m}^3/\text{h}]/[\text{CFM}]$	dB(A)	No.	Min/Max($^{\circ}\text{C}$)	
/	220/230	50	1.50	330	1350	10	6020/3540	64	④	-30/+60	CCC, CE
/	220/230	60	2.10	460	1530	10	7020/4130	65	⑥	-30/+60	CCC, CE
/	380/400	50	0.73	300	1370	/	5620/3305	66	③	-30/+60	CCC, CE
/	380/400	60	0.82	440	1540	/	6460/3800	69	⑤	-30/+60	CCC, CE
/	220/230	50	0.68	140	930	4	3860/2270	56	①	-30/+60	CCC, CE
/	220/230	60	0.77	175	1070	4	4500/2645	62	②	-30/+60	CCC, CE
/	380/400	50	0.62	145	950	/	3900/2295	57	①	-30/+60	CCC, CE
/	380/400	60	0.52	175	1100	/	4590/2700	60	②	-30/+60	CCC, CE



Plastic Airfoil Blade Axial Fan

Φ450

Type D





Plastic Airfoil Blade Axial Fan

Φ450

Type F0

