



Plastic Airfoil Blade Axial Fan

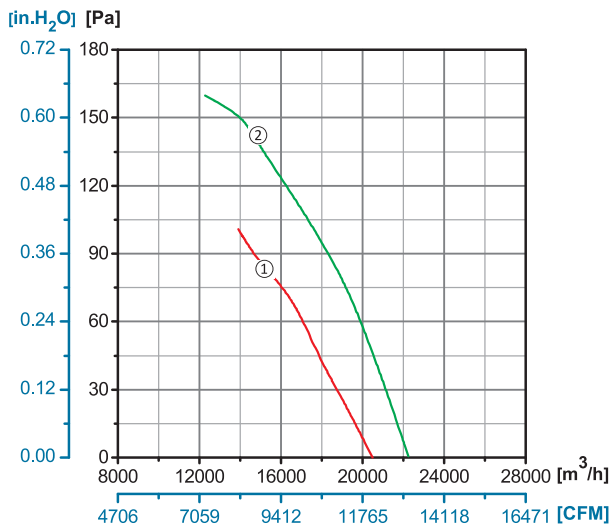
ErP2015
EXCEEDS THE NORM



Φ800

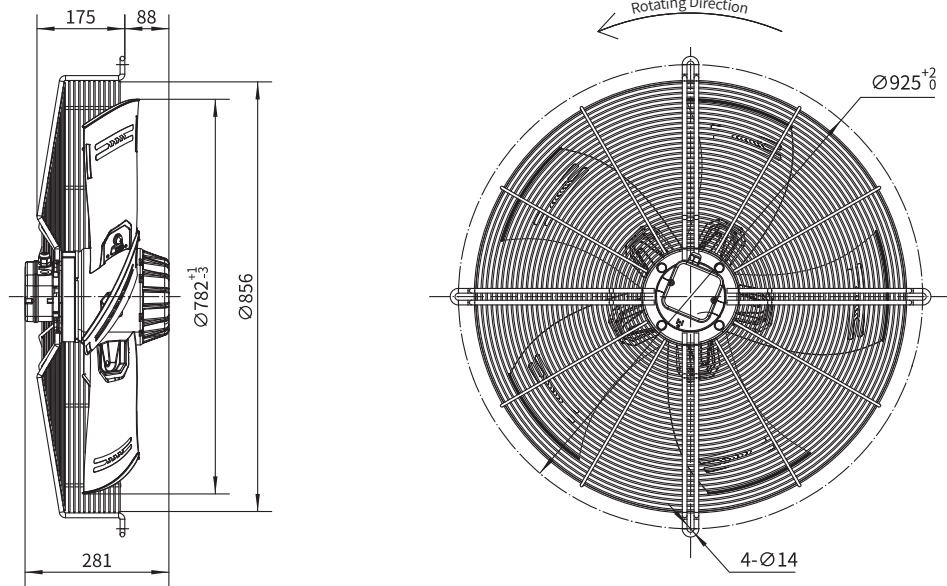
Rotor Material: Aluminum Die-casting
Impeller Material: Plastic
Ingress Protection: IP54
Insulation Class: F
Bearing Type: Maintenance Free Ball Bearing

Performance Curves

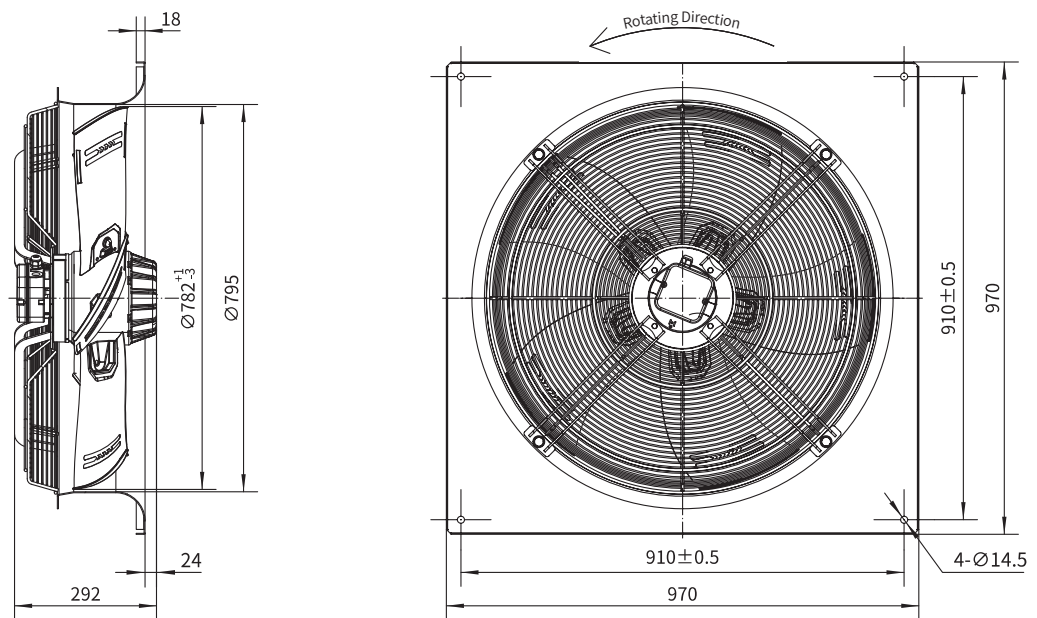



Type B	Type C	Type D	Type E	Type F0
/	/	YWF.A6T-800S-5D SP0	/	/

Type D



Type F1



	Voltage	Frequency	Current	Power	Speed	Capacitor	Air Flow (0 Pa)	Noise	Curve	Working Temp.	Approvals
Type F1	V	Hz	A	W	RPM	μF	$[\text{m}^3/\text{h}]/[\text{CFM}]$	dB(A)	No.	Min/Max($^{\circ}\text{C}$)	
YWF.A6T-800S-5F SP0	380/400	50	3.35	1400	940	/	22240/13080	74	②	-30/+60	CCC, CE
	380/400	50	1.90	1150	830	/	20500/12060	70	①	-30/+60	CCC, CE