



Conventional Carbon Steel Blade Axial Fan

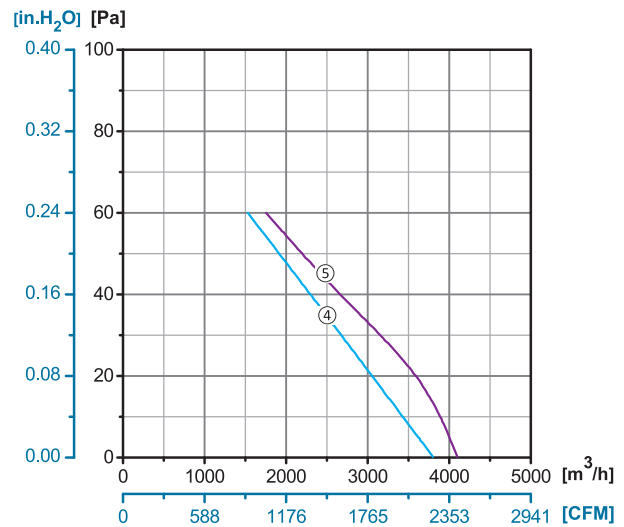
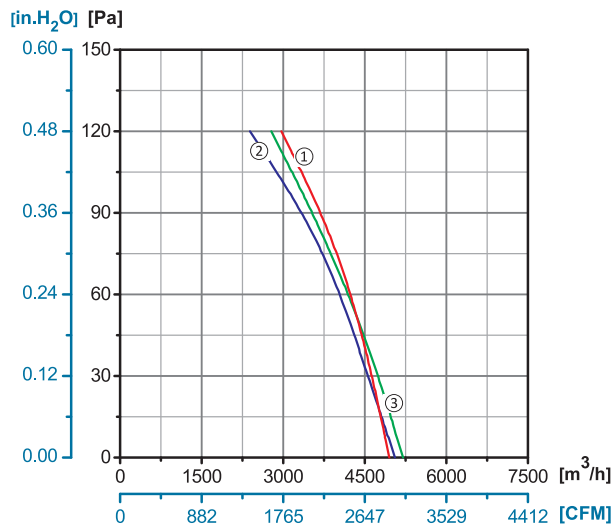
ErP2015
EXCEEDS THE NORM



Φ450

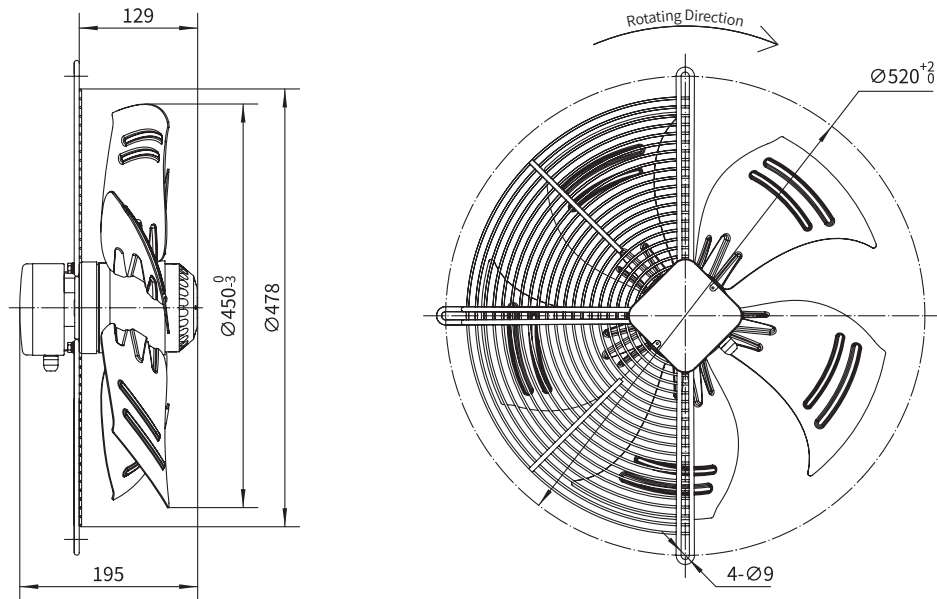
Rotor Material: Aluminum Die-casting
Impeller Material: Carbon Steel
Ingress Protection: IP54
Insulation Class: F
Bearing Type: Maintenance Free Ball Bearing

Performance Curves



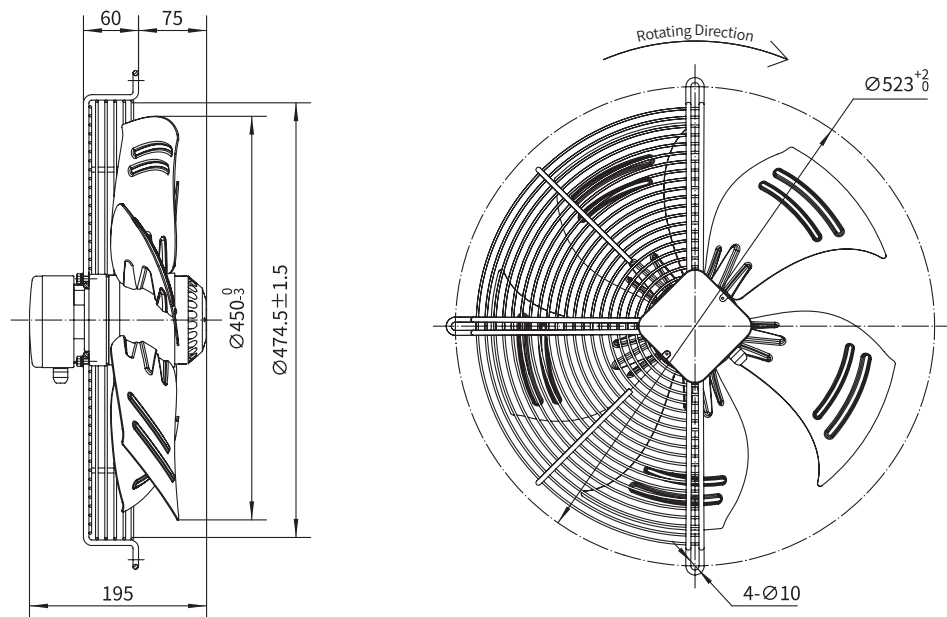
Type B	Type C	Type D	Type E	Type F0
YWF.A4S-450S-5B A00	YWF.A4S-450S-5C A00	YWF.A4S-450S-5D A00	YWF.A4S-450S-5E A00	YWF.A4S-450S-5F A00
YWF.A4T-450S-5B A00	YWF.A4T-450S-5C A00	YWF.A4T-450S-5D A00	YWF.A4T-450S-5E A00	YWF.A4T-450S-5F A00
YWF.A6S-450S-5B A00	YWF.A6S-450S-5C A00	YWF.A6S-450S-5D A00	YWF.A6S-450S-5E A00	YWF.A6S-450S-5F A00
YWF.A6T-450S-5B A00	YWF.A6T-450S-5C A00	YWF.A6T-450S-5D A00	YWF.A6T-450S-5E A00	YWF.A6T-450S-5F A00
YWF.A4S-450S-5B A05	YWF.A4S-450S-5C A05	YWF.A4S-450S-5D A05	YWF.A4S-450S-5E A05	YWF.A4S-450S-5F A05


Type B



Conv. Steel Blade Axial

Type C



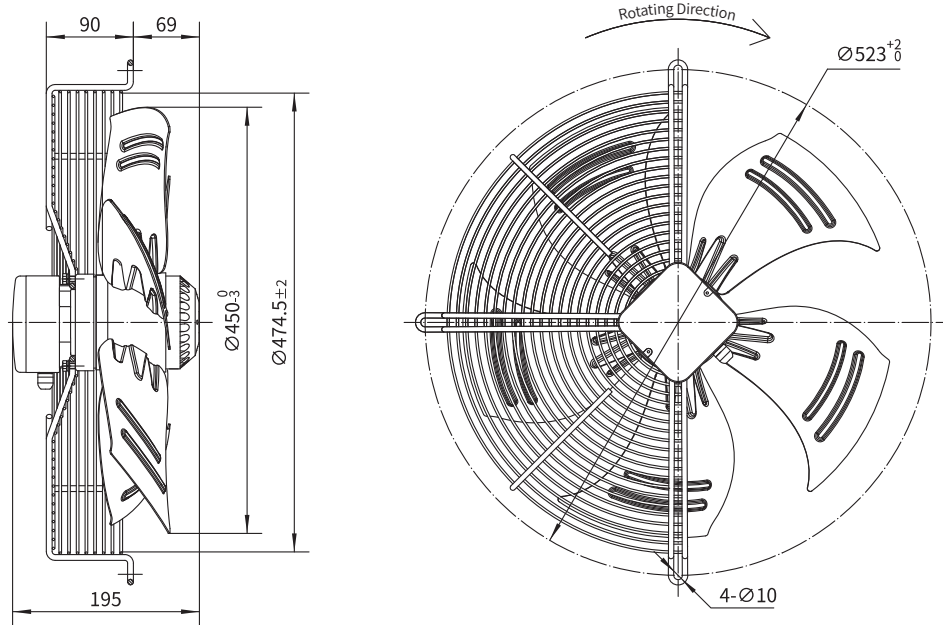
	Voltage	Frequency	Current	Power	Speed	Capacitor	Air Flow (0 Pa)	Noise	Curve	Working Temp.	Approvals
Type F1	V	Hz	A	W	RPM	μF	$[\text{m}^3/\text{h}]/[\text{CFM}]$	dB(A)	No.	Min/Max($^{\circ}\text{C}$)	
YWF.A4S-450S-5F A01	220/230	50	1.15	250	1350	7	5200/3058	62	③	-30/+60	CCC, CE
	220/230	60	1.35	290	1600	7	4950/2911	66	①	-30/+60	CCC, CE, UL
YWF.A4T-450S-5F A01	380/400	50	0.55	250	1380	/	5050/2970	62	②	-30/+60	CCC, CE
	380/400	60	0.53	290	1600	/	4800/2823	66	①	-30/+60	CCC, CE, UL
YWF.A6S-450S-5F A01	220/230	50	0.65	135	920	6	3800/2235	56	④	-30/+60	CCC, CE
	220/230	60	0.79	175	1100	6	4100/2412	58	⑤	-30/+60	CCC, CE, UL
YWF.A6T-450S-5F A01	380/400	50	0.33	120	910	/	3800/2235	56	④	-30/+60	CCC, CE
	380/400	60	0.34	145	1030	/	4100/2412	58	⑤	-30/+60	CCC, CE, UL
YWF.A4S-450S-5F A15	110/120	60	2.40	300	1600	22	4950/2911	66	①	-30/+60	UL



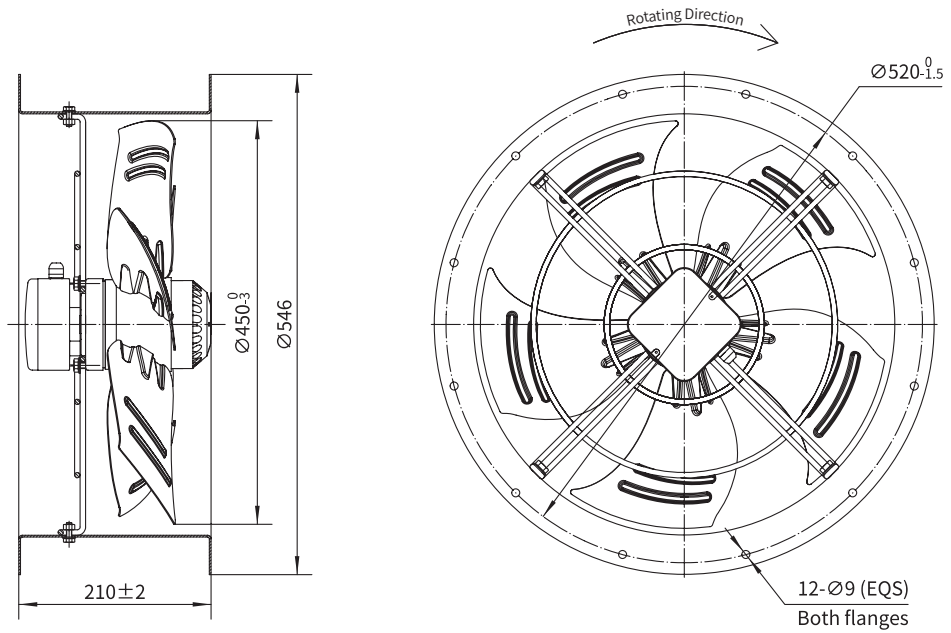
Conventional Carbon Steel Blade Axial Fan

Φ450

Type D



Type E

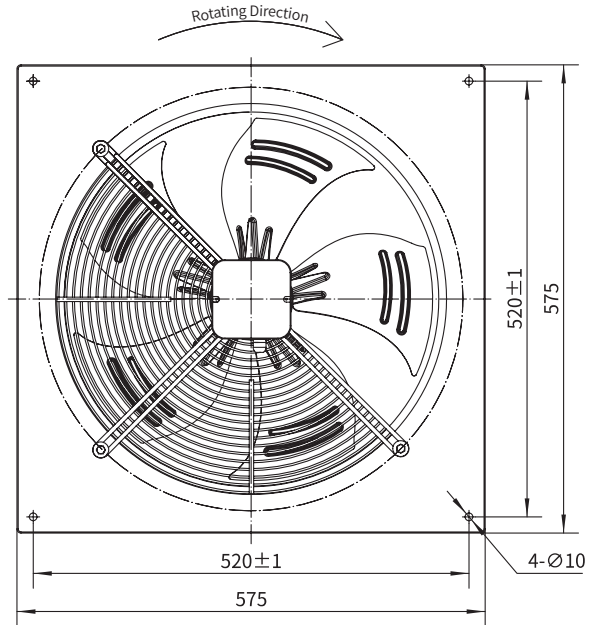
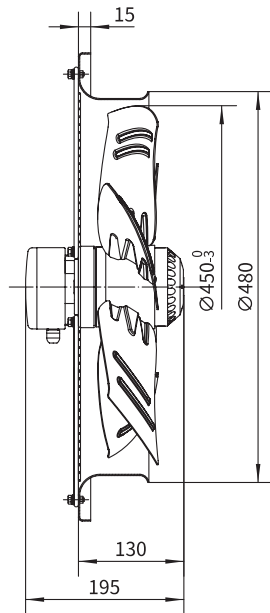




Conventional Carbon Steel Blade Axial Fan

Φ450

Type F0



Conv. Steel Blade Axial

Type F1

