



Conventional Carbon Steel Blade Axial Fan

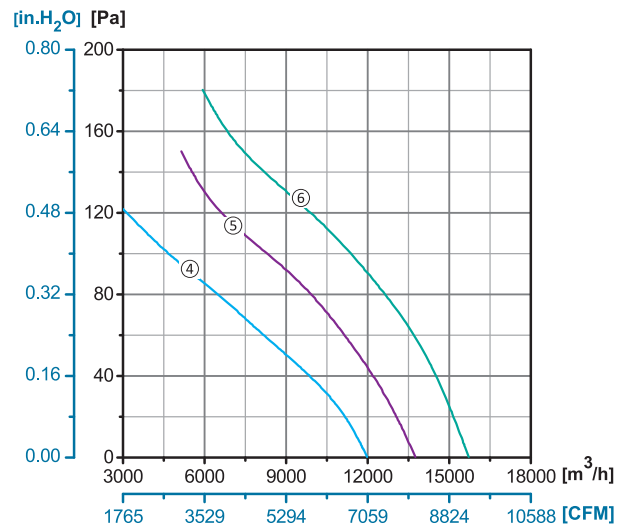
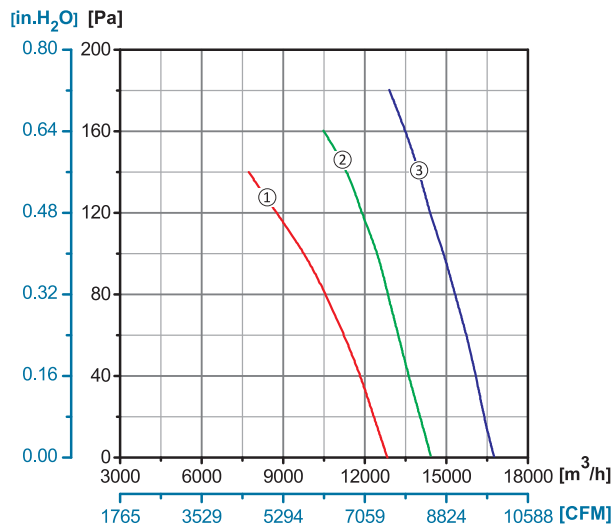
ErP2015
EXCEEDS THE NORM



Φ630-H

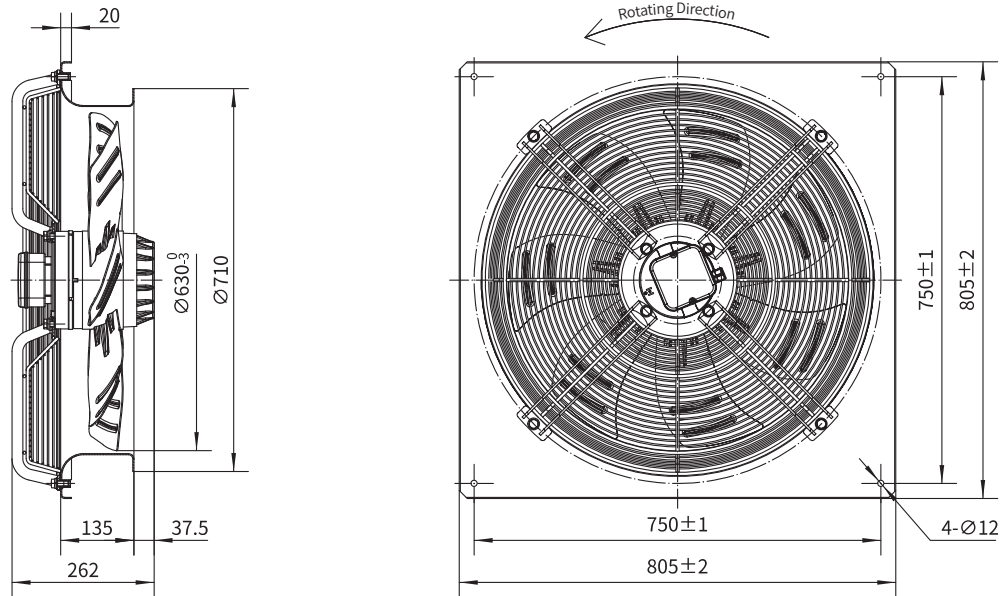
Rotor Material: Aluminum Die-casting
Impeller Material: Carbon Steel
Ingress Protection: IP54
Insulation Class: F
Bearing Type: Maintenance Free Ball Bearing

Performance Curves



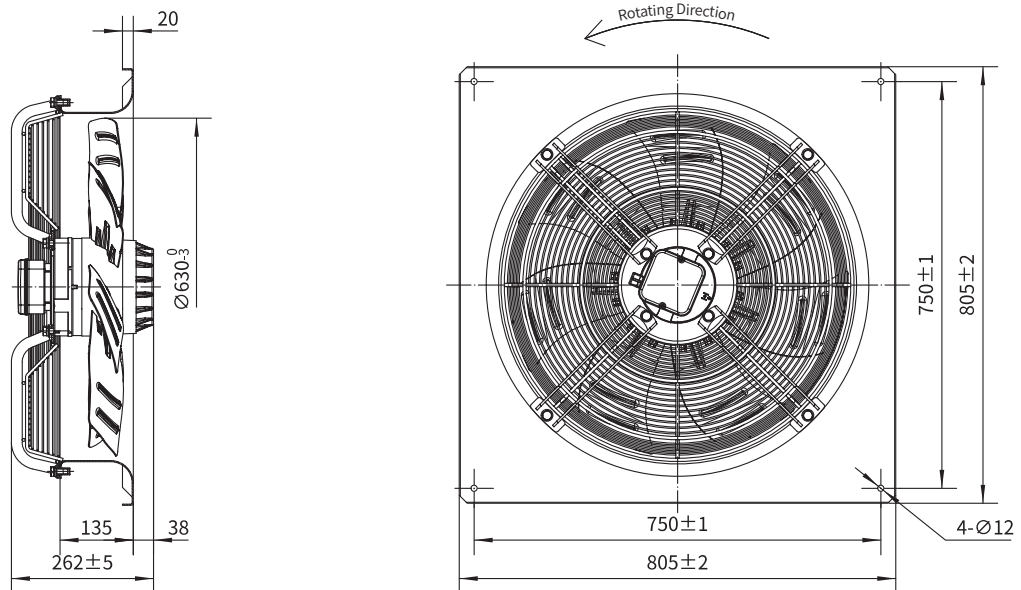
Type B	Type C	Type D	Type E	Type F0
/	/	/	/	YWF.A4T-630S-7F S11
/	/	/	/	YWF.A6T-630S-7F S11


Type F0



Conv. Steel Blade Axial

Type F1



	Voltage	Frequency	Current	Power	Speed	Capacitor	Air Flow (0 Pa)	Noise	Curve	Working Temp.	Approvals
Type F1	V	Hz	A	W	RPM	µF	[m³/h]/[CFM]	dB(A)	No.	Min/Max(°C)	
YWF.A4T-630S-7F S10	380/400	50	2.50	1400	1400	/	14430/8488	76	②	-30/+60	CCC, CE
	380/400	50	1.70	1100	1200	/	12840/7553	74	①	-30/+60	CCC, CE
	380/400	60	3.00	1800	1650	/	16750/9853	78	③	-30/+60	CCC, CE
YWF.A6T-630S-7F S10	380/400	50	2.00	900	940	/	13760/8094	73	⑤	-30/+60	CCC, CE
	380/400	50	1.15	700	825	/	12000/7059	69	④	-30/+60	CCC, CE
	380/400	60	2.20	1260	1070	/	15720/9247	77	⑥	-30/+60	CCC, CE