



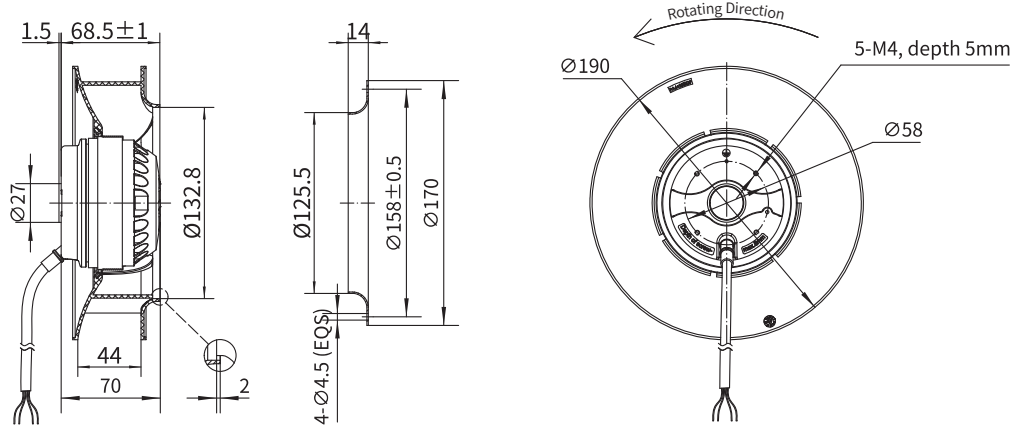
Backward Curved Centrifugal Fan with Conventional Plastic Impeller



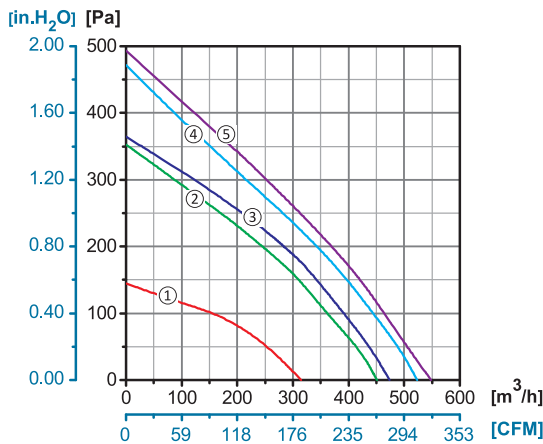
Φ 190

Rotor Material: Aluminum Die-casting
Impeller Material: Plastic
Ingress Protection: IP44
Insulation Class: F
Bearing Type: Maintenance Free Ball Bearing

Dimensional Drawings



Performance Curves



Conv. Plastic B/C Centrifugal

Model No.	Voltage	Frequency	Current	Power	Speed	Capacitor	Air Flow (0 Pa)	Noise	Curve	Working Temp.	Approvals
	V	Hz	A	W	RPM	µF	[m ³ /h]/[CFM]	dB(A)	No.	Min/Max (°C)	
YWF.B2S-190-060AB2C	110/120	60	0.75	85	2760	8	520/306	70	④	-30/+60	UL
YWF.B4S-190-060AB20	220/230	60	0.14	30	1610	1	305/179	58	①	-30/+60	
YWF.B2S-190-060AB00	220/230	50	0.31	68	2600	3	480/282	68	③	-30/+60	CCC, CE
	220/230	60	0.41	85	2900	3	550/320	70	⑤	-30/+60	CE
YWF.B2T-190-060AB00	380/400	50	0.13	58	2460	/	450/265	67	②	-30/+60	CCC, CE
	380/400	60	0.13	70	2620	/	480/282	68	③	-30/+60	CE