



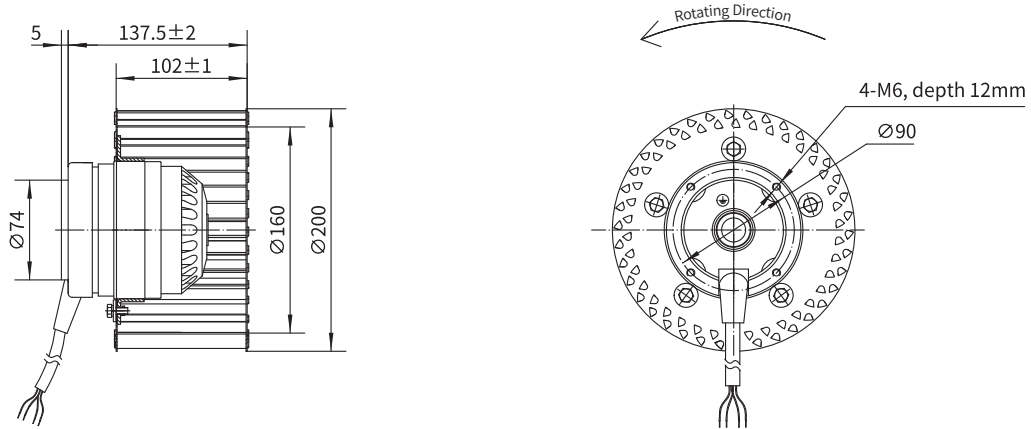
## Forward Curved Centrifugal Fan



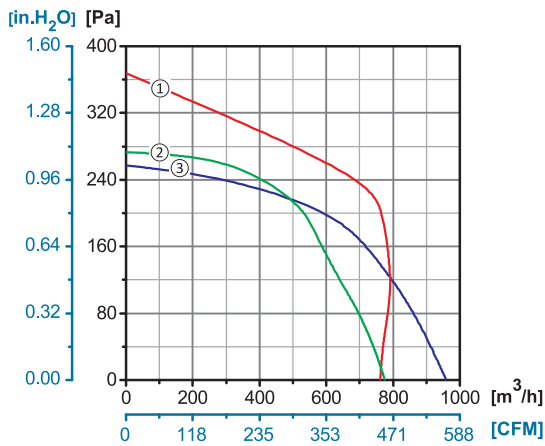
### Φ 200

**Rotor Material:** Aluminum Die-casting  
**Impeller Material:** Galvanized Steel Sheet  
**Ingress Protection:** IP54  
**Insulation Class:** F  
**Bearing Type:** Maintenance Free Ball Bearing

### Dimensional Drawings



### Performance Curves



Model No.	Voltage	Frequency	Current	Power	Speed	Capacitor	Air Flow (0 Pa)	Noise	Curve	Working Temp.	Approvals
	V	Hz	A	W	RPM	µF	[m³/h]/[CFM]	dB(A)	No.	Min/Max (°C)	
YWF.F4S-200-102AX0A	110/120	60	1.40	160	1670	12	774/455	59	②	-30/+60	
YWF.F4S-200-102AX00	220/230	50	0.63	120	1400	3.5	960/565	65	③	-30/+60	CCC, CE
	220/230	60	0.70	155	1610	3.5	760/447	61	①	-30/+60	CE