



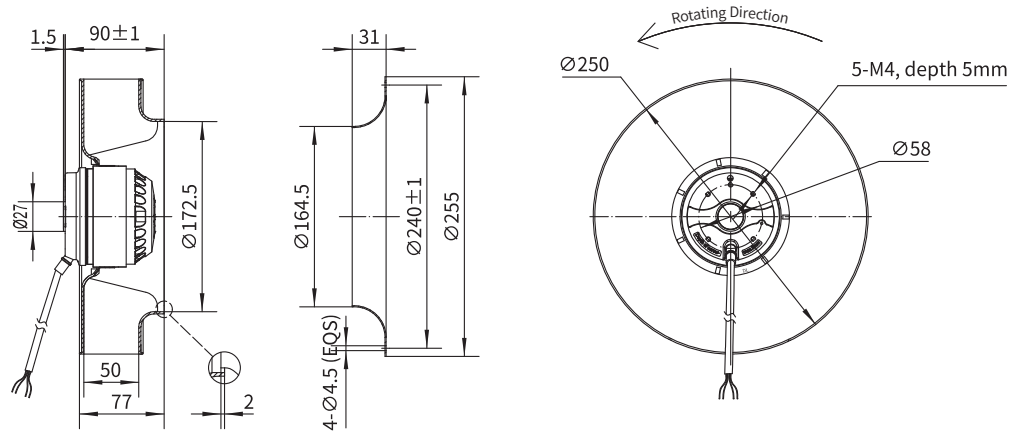
## Backward Curved Centrifugal Fan with Conventional Plastic Impeller



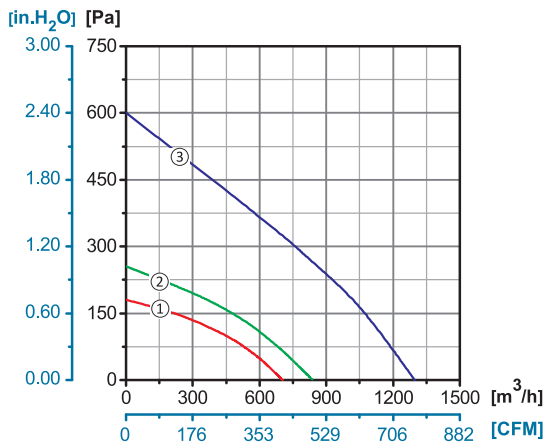
### Φ 250

**Rotor Material:** Aluminum Die-casting  
**Impeller Material:** Plastic  
**Ingress Protection:** IP44  
**Insulation Class:** F  
**Bearing Type:** Maintenance Free Ball Bearing

### Dimensional Drawings



### Performance Curves



Model No.	Voltage	Frequency	Current	Power	Speed	Capacitor	Air Flow (0 Pa)	Noise	Curve	Working Temp.	Approvals
	V	Hz	A	W	RPM	µF	[m <sup>3</sup> /h]/[CFM]	dB(A)	No.	Min/Max (°C)	
YWF.B2S-250-077AB21	220/230	50	0.76	167	2620	7	1300/765	74.5	③	-30/+60	CCC, CE
YWF.B4S-250-077AB20	220/230	50	0.26	50	1400	2	710/410	59	①	-30/+60	CCC, CE
	220/230	60	0.26	60	1650	2	840/485	63	②	-30/+60	CE