



Plastic Airfoil Blade Axial Fan

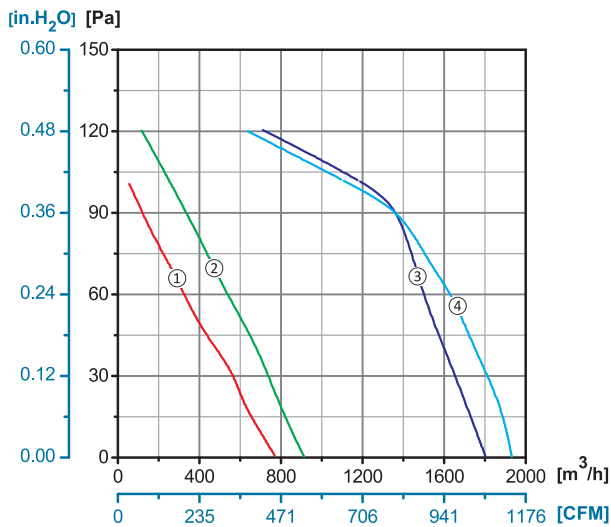
ErP2015
EXCEEDS THE NORM



Φ 250

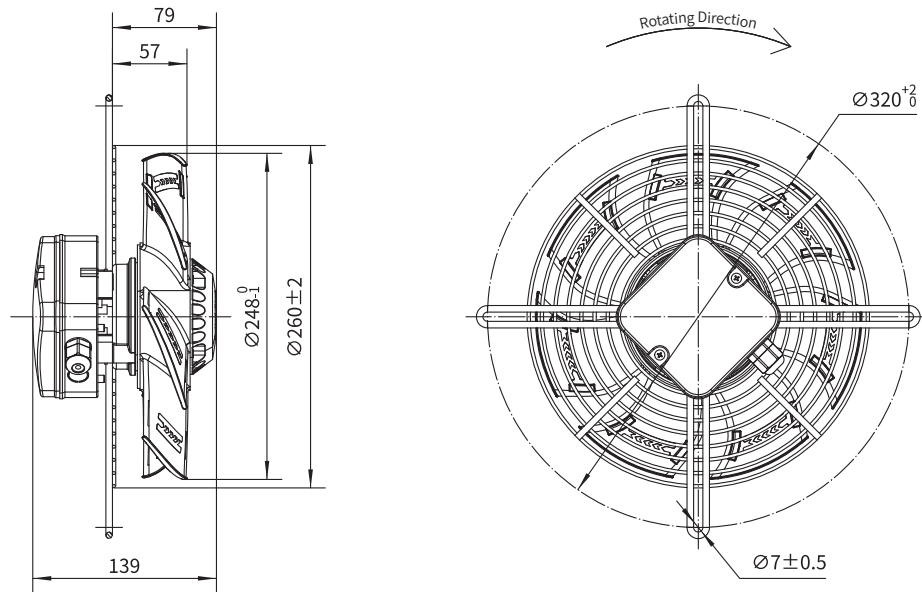
Rotor Material: Aluminum Die-casting
Impeller Material: Plastic
Ingress Protection: IP44
Insulation Class: F
Bearing Type: Maintenance Free Ball Bearing

Performance Curves

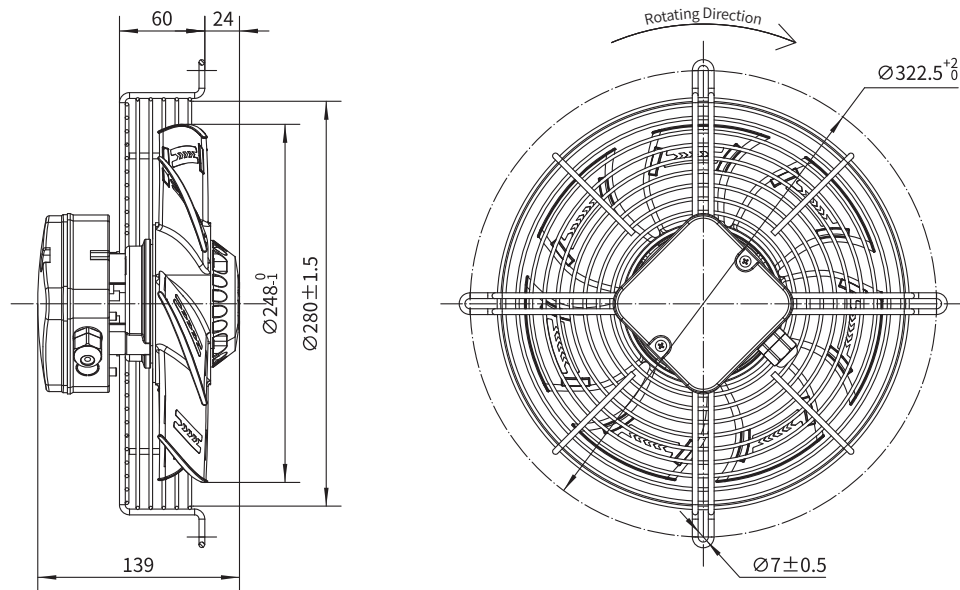



Type B	Type C	Type D	Type E	Type F0
YWF.A2S-250S-7B AP0	YWF.A2S-250S-7C AP0	YWF.A2S-250S-7D AP0	YWF.A2S-250S-7E AP0	YWF.A2S-250S-7F AP0
YWF.A4S-250S-7B AP0	YWF.A4S-250S-7C AP0	YWF.A4S-250S-7D AP0	YWF.A4S-250S-7E AP0	YWF.A4S-250S-7F AP0

Type B



Type C



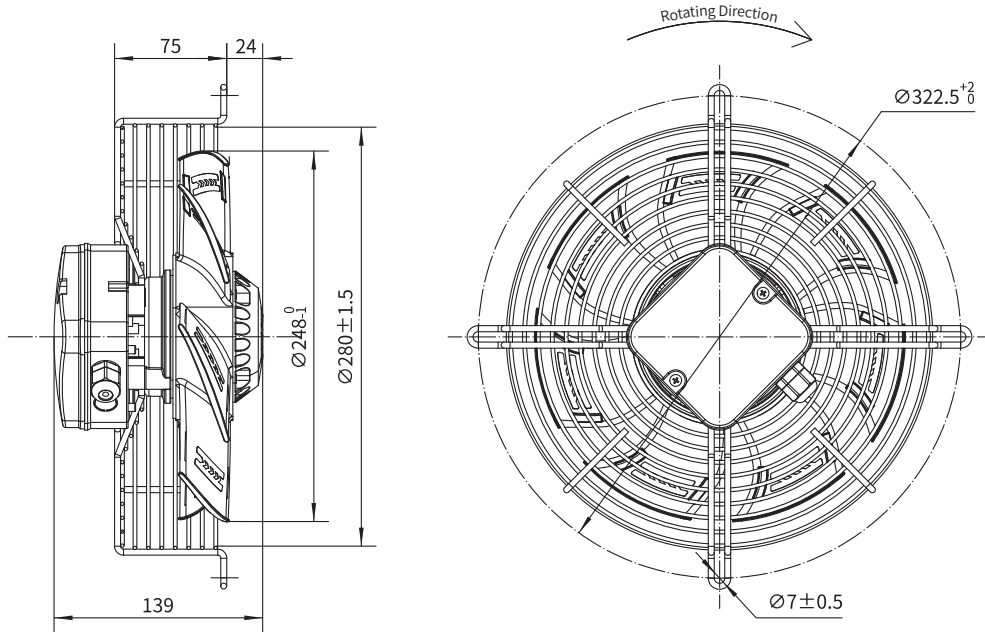
	Voltage	Frequency	Current	Power	Speed	Capacitor	Air Flow (0 Pa)	Noise	Curve	Working Temp.	Approvals
Type F1	V	Hz	A	W	RPM	μF	$[\text{m}^3/\text{h}]/[\text{CFM}]$	dB(A)	No.	Min/Max($^{\circ}\text{C}$)	
/	220/230	50	0.55	125	2590	4	1800/1060	76	③	-30/+60	CCC, CE
/	220/230	60	0.70	160	2850	4	1930/1135	79	④	-30/+60	CCC, CE
/	220/230	50	0.28	55	1420	2	770/455	49	①	-30/+60	CCC, CE
/	220/230	60	0.25	57	1680	2	910/535	55	②	-30/+60	CCC, CE



Plastic Airfoil Blade Axial Fan

Φ 250

Type D





Plastic Airfoil Blade Axial Fan

Φ 250

Type F0

