

**DC Backward Curved Centrifugal Fan with Aileron Impeller**

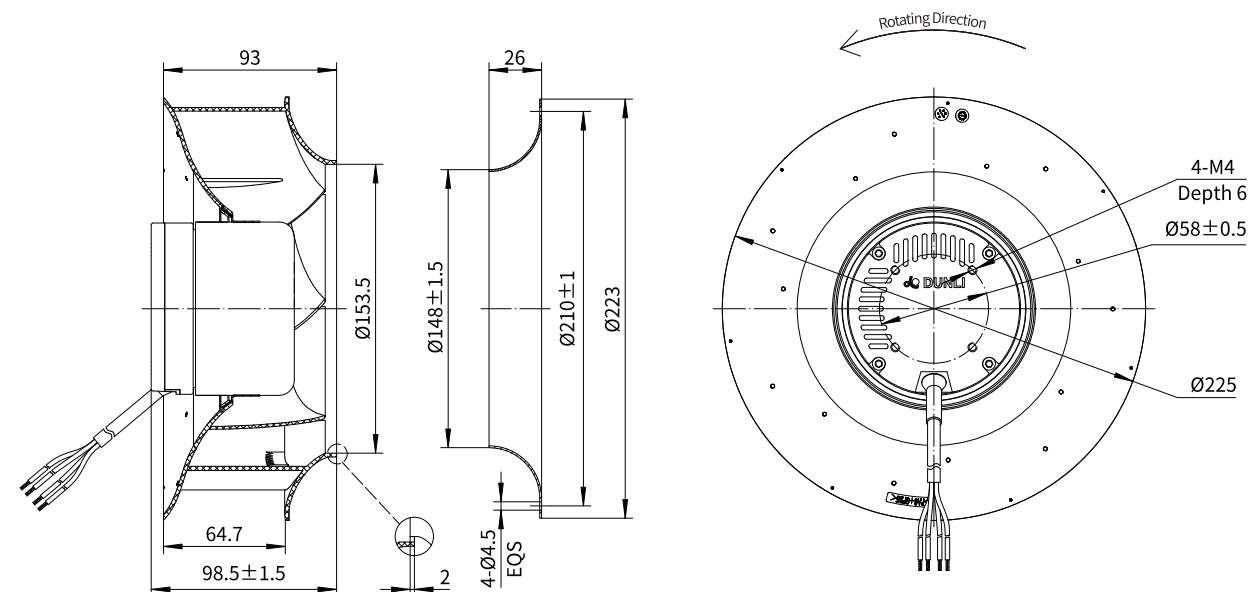
**ErP2015**  
EXCEEDS THE NORM

**Motorized Backward Curved Impeller**

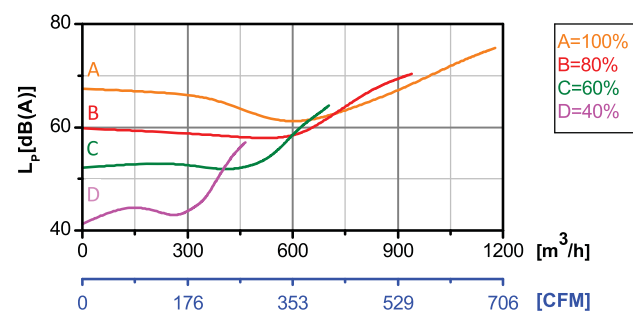
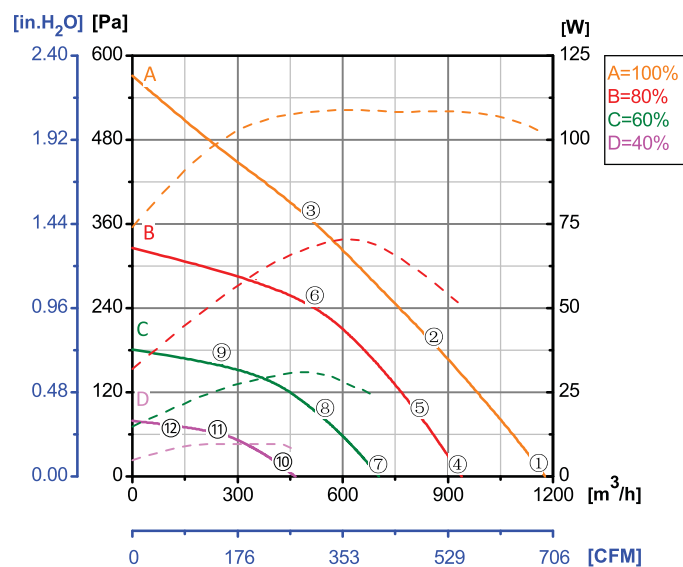


**Φ 225**

Rotor Material: Carbon steel  
 Impeller Material: Plastic  
 Ingress Protection: IP42  
 Insulation Class: F  
 Bearing Type: Maintenance free ball bearing



**Performance Curves**



| Test Point | Speed | Input Power |
|------------|-------|-------------|
|            | rpm   | W           |
| 1          | 2647  | 102         |
| 2          | 2438  | 108         |
| 3          | 2429  | 108         |
| 4          | 2115  | 51          |
| 5          | 2096  | 60          |
| 6          | 2079  | 69          |
| 7          | 1587  | 22          |
| 8          | 1575  | 30          |
| 9          | 1582  | 27          |
| 10         | 1058  | 7           |
| 11         | 1055  | 10          |
| 12         | 1054  | 10          |

Erp2015 Data:  
 Efficiency η<sub>statA</sub> = \*% < 125W  
 Efficiency grade N<sub>actual</sub> = \*, N<sub>target</sub> = 62  
 Test report No. : L-20210302-005-083

| Model No.     | Voltage | Frequency | Speed | Input Power | Current | Working Temp. | Approvals |
|---------------|---------|-----------|-------|-------------|---------|---------------|-----------|
|               | VAC     | Hz        | RPM   | W           | A       | Min/Max (°C)  |           |
| DC92-B225-A10 | 24      | /         | 2600  | 100         | 4.17    | -20/+60       | CE        |
| DC92-B225-C10 | 48      | /         | 2600  | 100         | 2.09    | -20/+60       | CCC,CE    |
| DC92-B225-D10 | 310     | /         | 2600  | 100         | 0.33    | -20/+60       | CCC,CE    |