



Conventional Carbon Steel Blade Axial Fan

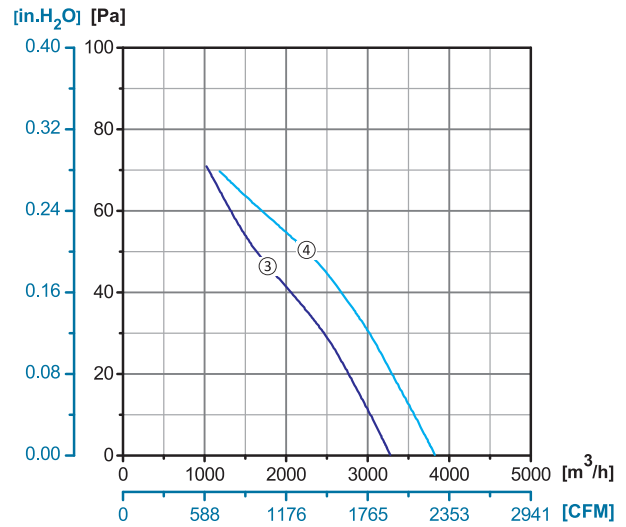
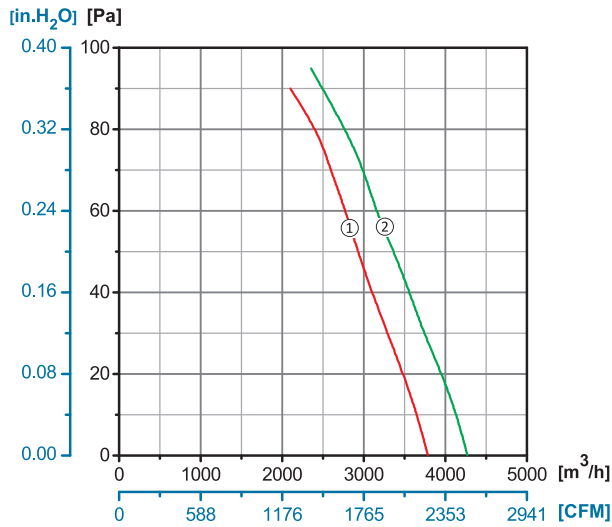
ErP2015
EXCEEDS THE NORM



Φ400

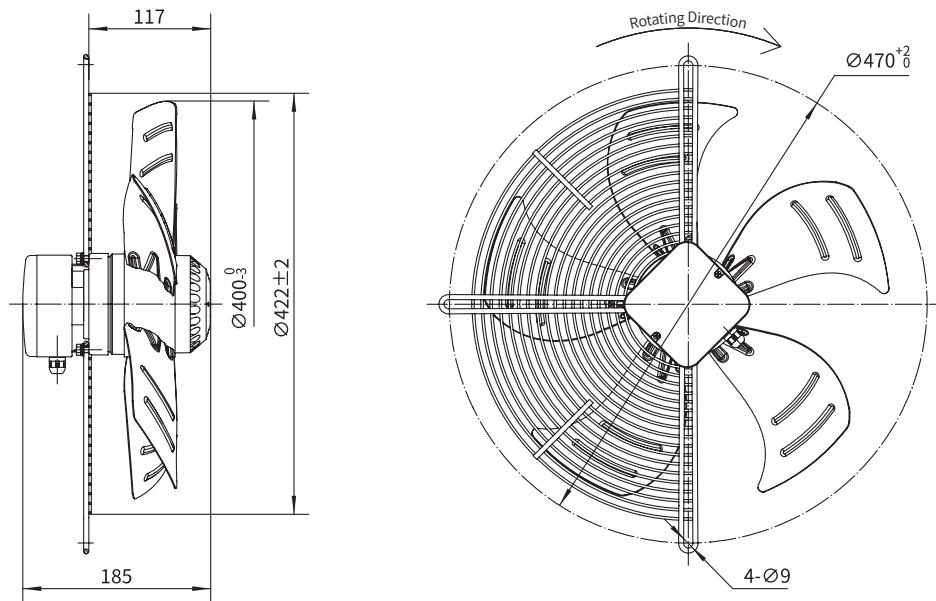
- Rotor Material:** Aluminum Die-casting
- Impeller Material:** Carbon Steel
- Ingress Protection:** IP54
- Insulation Class:** F
- Bearing Type:** Maintenance Free Ball Bearing

Performance Curves



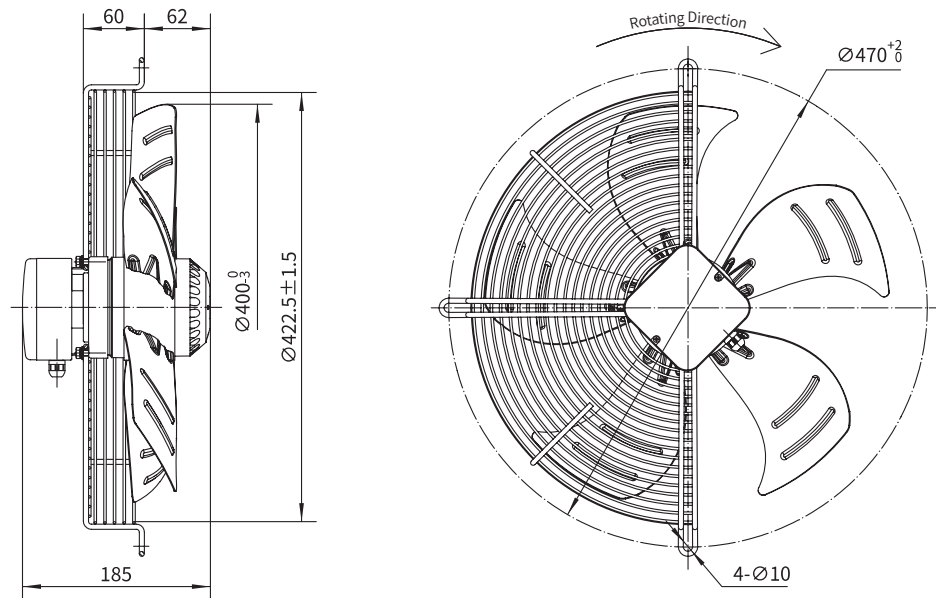
Type B	Type C	Type D	Type E	Type F0
YWF.A4S-400S-5B A00	YWF.A4S-400S-5C A00	YWF.A4S-400S-5D A00	YWF.A4S-400S-5E A00	YWF.A4S-400S-5F A00
YWF.A4T-400S-5B A00	YWF.A4T-400S-5C A00	YWF.A4T-400S-5D A00	YWF.A4T-400S-5E A00	YWF.A4T-400S-5F A00
YWF.A6S-400S-5B A00	YWF.A6S-400S-5C A00	YWF.A6S-400S-5D A00	YWF.A6S-400S-5E A00	YWF.A6S-400S-5F A00
YWF.A6T-400S-5B A00	YWF.A6T-400S-5C A00	YWF.A6T-400S-5D A00	YWF.A6T-400S-5E A00	YWF.A6T-400S-5F A00
YWF.A4S-400S-5B A05	YWF.A4S-400S-5C A05	YWF.A4S-400S-5D A05	YWF.A4S-400S-5E A05	YWF.A4S-400S-5F A05


Type B



Conv. Steel Blade Axial

Type C



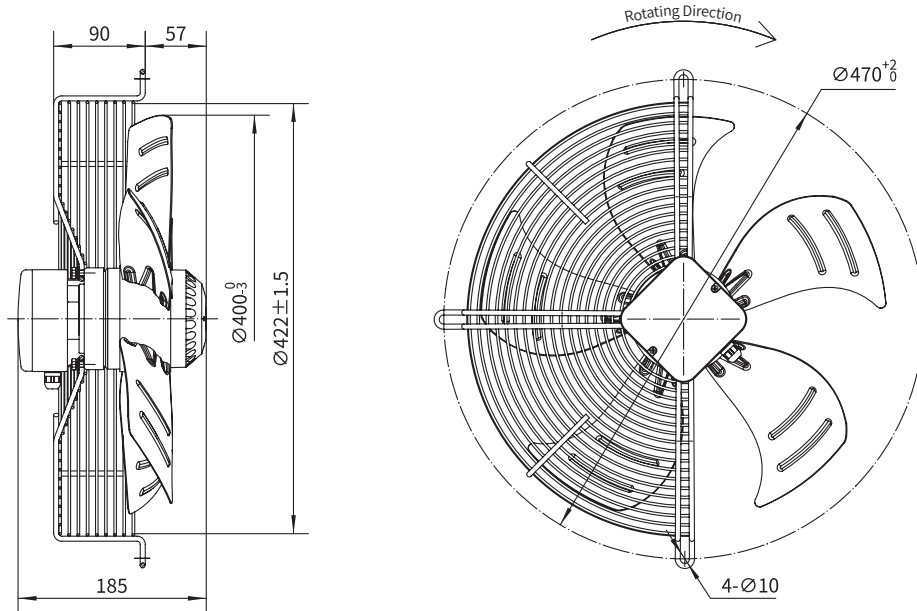
	Voltage	Frequency	Current	Power	Speed	Capacitor	Air Flow (0 Pa)	Noise	Curve	Working Temp.	Approvals
Type F1	V	Hz	A	W	RPM	µF	[m³/h]/[CFM]	dB(A)	No.	Min/Max(°C)	
/	220/230	50	0.90	190	1350	6	3800/2235	60	①	-30/+60	CCC, CE
/	220/230	60	1.22	270	1580	6	4300/2529	65	②	-30/+60	CCC, CE, UL
/	380/400	50	0.50	190	1370	/	3800/2235	60	①	-30/+60	CCC, CE
/	380/400	60	0.47	250	1620	/	4300/2529	65	②	-30/+60	CCC, CE, UL
/	220/230	50	0.50	110	950	4	3275/1926	55	③	-30/+60	CCC, CE
/	220/230	60	0.54	120	1100	4	3825/2250	57	④	-30/+60	CCC, CE, UL
/	380/400	50	0.31	110	930	/	3275/1926	55	③	-30/+60	CCC, CE
/	380/400	60	0.30	135	1050	/	3825/2250	57	④	-30/+60	CCC, CE, UL
/	110/120	60	2.20	270	1500	24	3800/2235	65	②	-30/+60	UL



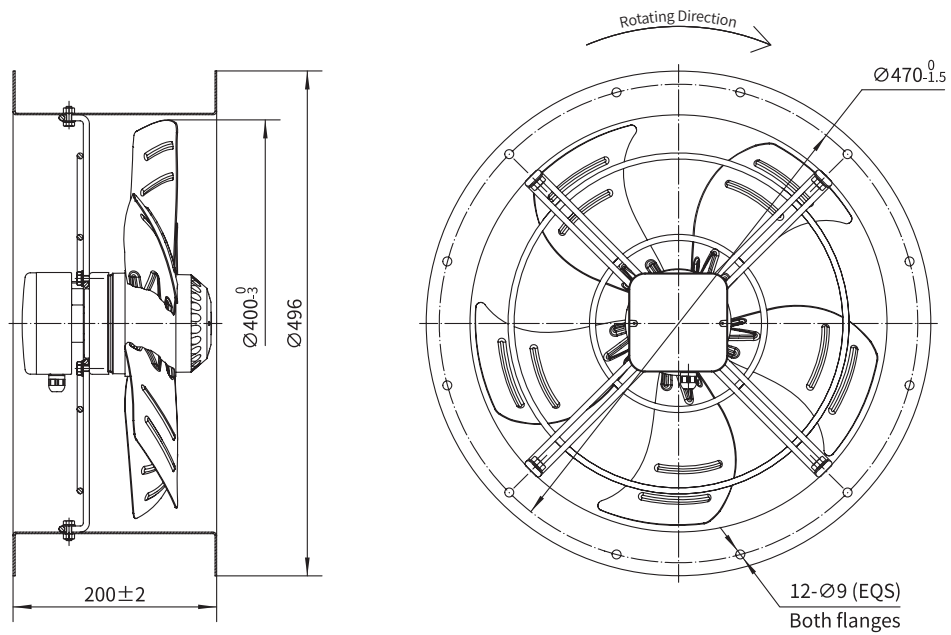
Conventional Carbon Steel Blade Axial Fan

Φ400

Type D



Type E

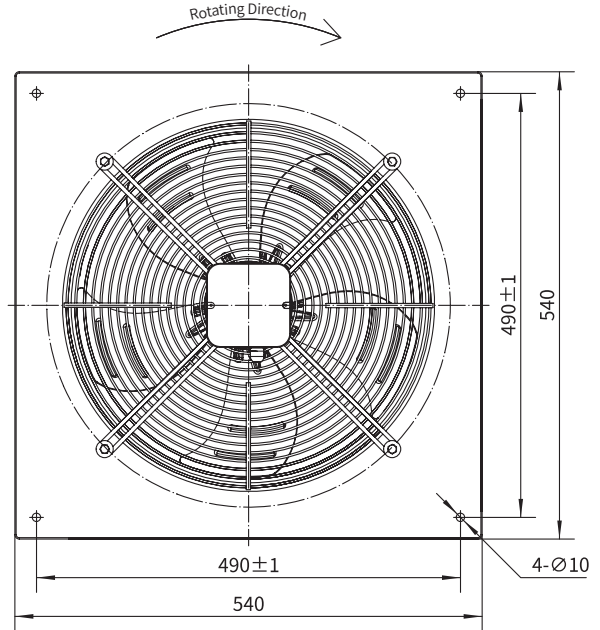
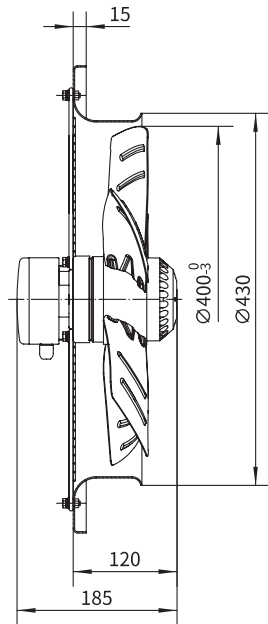




Conventional Carbon Steel Blade Axial Fan

Φ400

Type F0



Conv. Steel Blade Axial

Type F1

