

EC Backward Centrifugal Fan with Metal Impeller

Erp2015  
EXCEEDS THE NORM

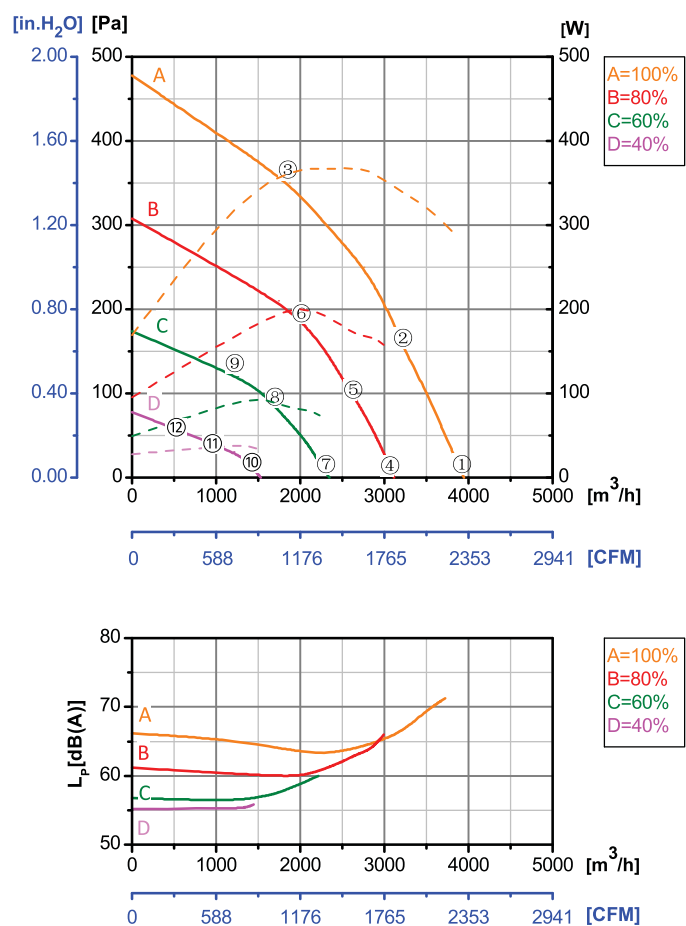
Motorized Backward Curved Impeller



Φ 400-L

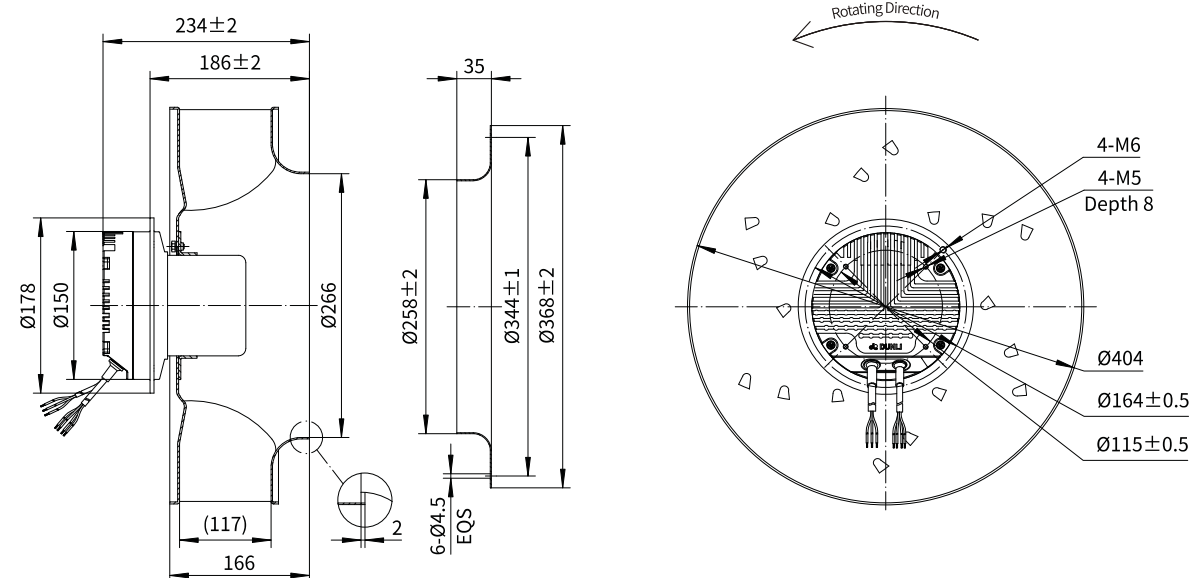
Rotor Material: Carbon steel  
Impeller Material: Aluminum alloy sheet  
Ingress Protection: IP54  
Insulation Class: F  
Bearing Type: Maintenance free ball bearing

Performance Curves



Test Point	Speed	Input Power
	rpm	W
1	1396	276
2	1402	322
3	1382	370
4	1119	146
5	1117	170
6	1119	201
7	841	70
8	839	88
9	843	92
10	563	33
11	562	38
12	562	39

Erp2015 Data:  
Efficiency η<sub>statA</sub>=59.0%  
Efficiency grade N<sub>actual</sub>=74.1, N<sub>target</sub>=62  
Test report No. : L-20210302-005-088



Model No.	Voltage	Frequency	Speed	Input Power	Current	Working Temp.	APProvals
	VAC	Hz	RPM	W	A	Min/Max (°C)	
EC102-B400-003	1~220/230	50/60	1400	350	1.55	-20/+60	CCC,CE