



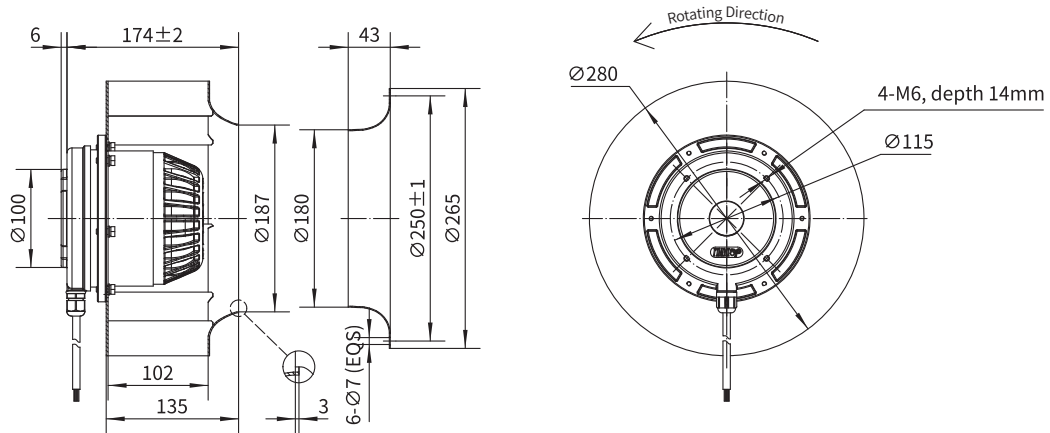
Backward Curved Centrifugal Fan with Conventional Metal Impeller



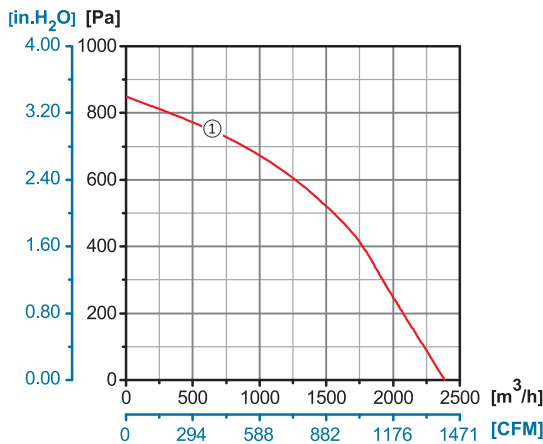
Φ 280

- Rotor Material: Aluminum Die-casting
- Impeller Material: Aluminum Alloy
- Ingress Protection: IP54
- Insulation Class: F
- Bearing Type: Maintenance Free Ball Bearing

Dimensional Drawings



Performance Curves



Conv. Metal B/C Centrifugal

Model No.	Voltage	Frequency	Current	Power	Speed	Capacitor	Air Flow (0 Pa)	Noise	Curve	Working Temp.	Approvals
	V	Hz	A	W	RPM	μF	$[\text{m}^3/\text{h}]/[\text{CFM}]$	dB(A)	No.	Min/Max ($^{\circ}\text{C}$)	
YWF.B2T-280-135AB10	380/400	50	0.90	440	2770	/	2385/1402	83	①	-30/+60	CCC, CE

