

EC Conventional Carbon Steel Blade Axial Fan

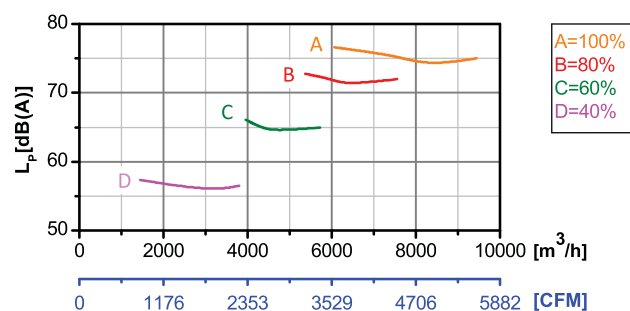
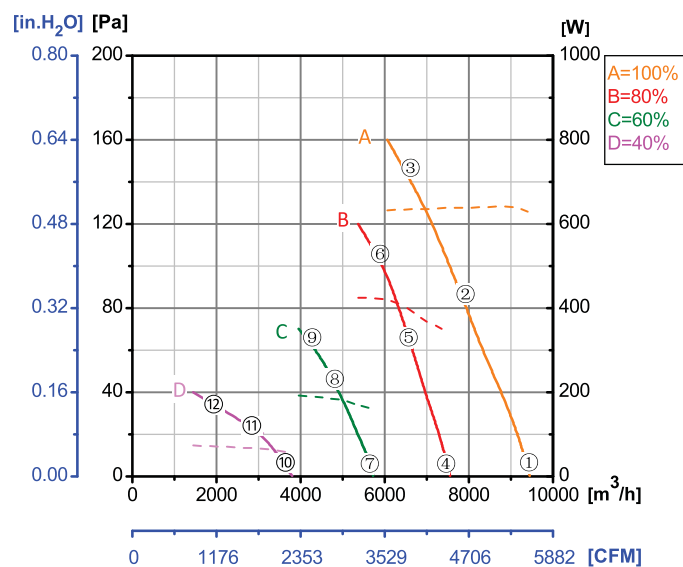
Erp2015
EXCEEDS THE NORM



Φ 500

Rotor Material: Carbon steel
Blade Material: Carbon steel
Ingress Protection: IP54
Insulation Class: F
Bearing Type: Maintenance free ball bearing

Performance Curves

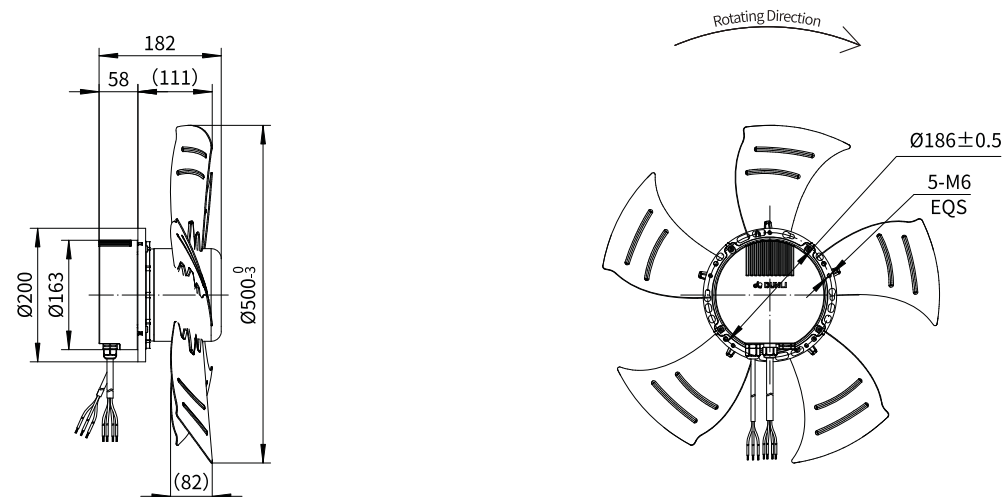


Test Point	Speed	Input Power
	rpm	W
1	1672	626
2	1598	638
3	1550	635
4	1346	328
5	1343	393
6	1344	423
7	1007	154
8	1007	182
9	1010	190
10	677	57
11	675	66
12	677	65

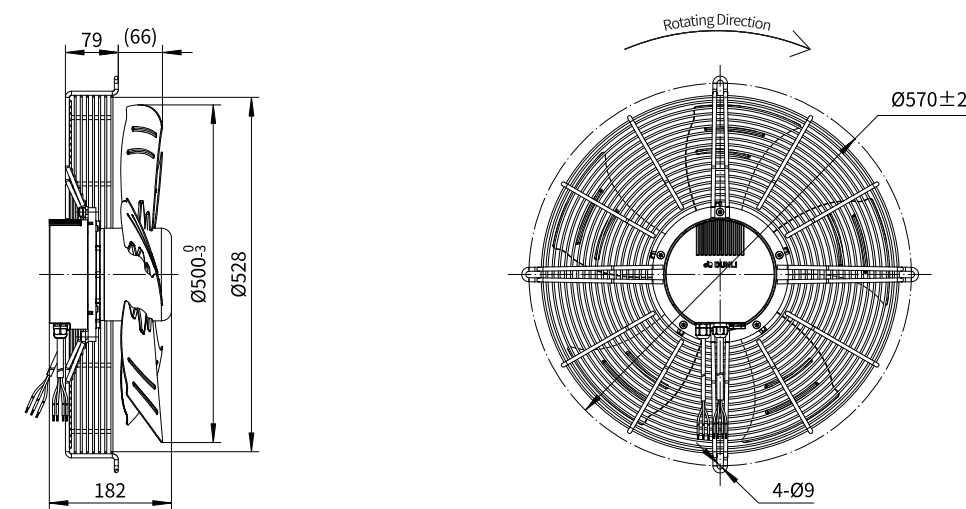
Erp2015 Data:
Efficiency η_{statA} = 46.9%
Efficiency grade N_{actual} = 54.5, N_{target} = 40
Test report No. : L-20210302-004-056

Model No.	Voltage	Frequency	Speed	Input Power	Current	Working Temp.	APPROVALS
	VAC	Hz	RPM	W	A	Min/Max (°C)	
EC137-A500-003	1~220/230	50/60	1670	700	4.20	-20/+60	CCC,CE

Type A



Type D



Type F

