



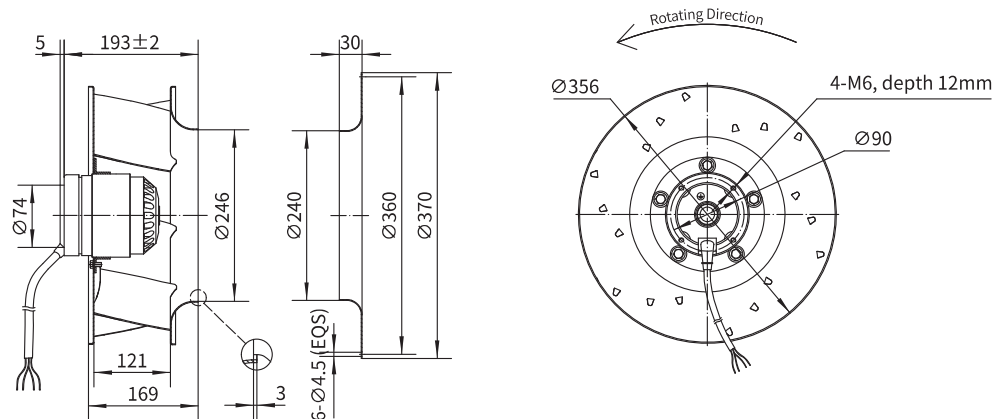
## Backward Curved Centrifugal Fan with Conventional Metal Impeller



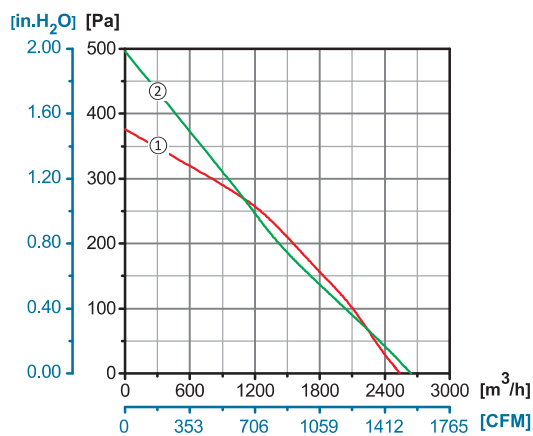
### Φ 355

- Rotor Material: Aluminum Die-casting
- Impeller Material: Aluminum Alloy
- Ingress Protection: IP54
- Insulation Class: F
- Bearing Type: Maintenance Free Ball Bearing

### Dimensional Drawings



### Performance Curves



Conv. Metal B/C Centrifugal

Model No.	Voltage	Frequency	Current	Power	Speed	Capacitor	Air Flow (0 Pa)	Noise	Curve	Working Temp.	Approvals
	V	Hz	A	W	RPM	µF	[m <sup>3</sup> /h]/[CFM]	dB(A)	No.	Min/Max (°C)	
YWF.B4S-355-169AB10	220/230	50	0.88	200	1340	8	2500/1470	61	①	-30/+60	CCC, CE
	220/230	60	1.25	280	1380	8	2650/1558	62	②	-30/+60	CE
YWF.B4T-355-169AB10	380/400	50	0.53	200	1380	/	2500/1470	61	①	-30/+60	CCC, CE