



Backward Curved Centrifugal Fan with Conventional Metal Impeller



Φ 315

Rotor Material: Aluminum Die-casting

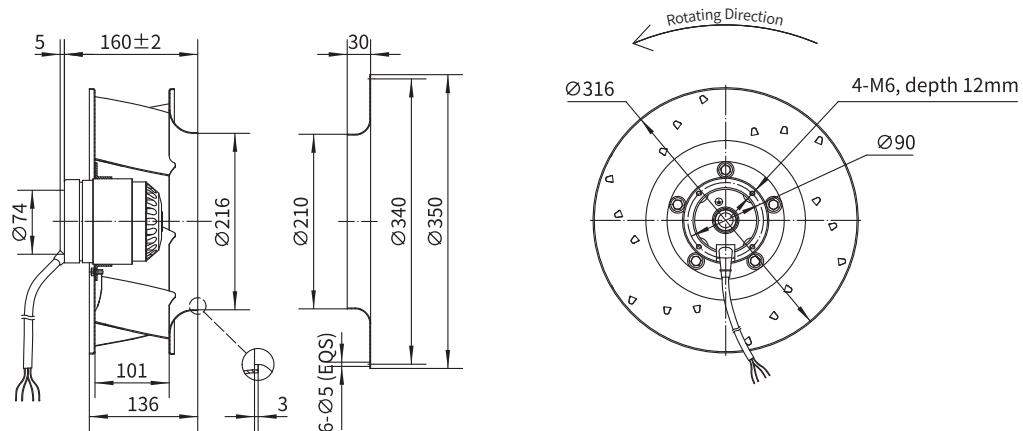
Impeller Material: Aluminum Alloy

Ingress Protection: IP54

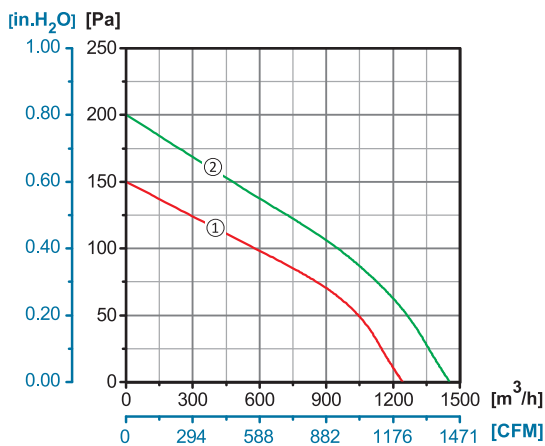
Insulation Class: F

Bearing Type: Maintenance Free Ball Bearing

Dimensional Drawings



Performance Curves



Model No.	Voltage	Frequency	Current	Power	Speed	Capacitor	Air Flow (0 Pa)	Noise	Curve	Working Temp.	Approvals
	V	Hz	A	W	RPM	µF	[m ³ /h]/[CFM]	dB(A)	No.	Min/Max (°C)	
YWF.B6S-315-136AB10	220/230	50	0.38	75	940	3	1240/729	58	①	-30/+60	CCC, CE
	220/230	60	0.42	85	1050	3	1460/858	60	②	-30/+60	UL, CE
YWF.B6T-315-136AB10	380/400	50	0.20	70	900	/	1240/729	58	①	-30/+60	CCC, CE
	380/400	60	0.24	80	1050	/	1460/858	60	②	-30/+60	UL, CE



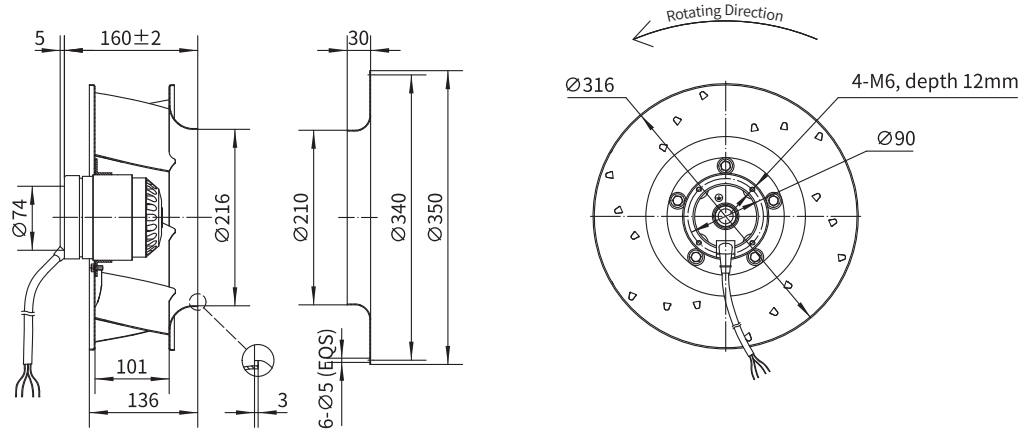
Backward Curved Centrifugal Fan with Conventional Metal Impeller



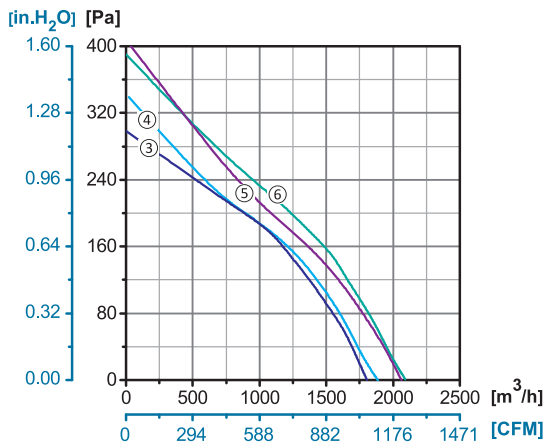
Φ 315

Rotor Material: Aluminum Die-casting
Impeller Material: Aluminum Alloy
Ingress Protection: IP54
Insulation Class: F
Bearing Type: Maintenance Free Ball Bearing

Dimensional Drawings



Performance Curves



Conv. Metal B/C Centrifugal

Model No.	Voltage	Frequency	Current	Power	Speed	Capacitor	Air Flow (0 Pa)	Noise	Curve	Working Temp.	Approvals
	V	Hz	A	W	RPM	µF	[m ³ /h]/[CFM]	dB(A)	No.	Min/Max (°C)	
YWF.B4S-315-136AB1B	110/120	60	1.60	180	1600	16	2100/1235	66	⑥	-30/+60	UL
YWF.B4S-315-136AB10	220/230	50	0.60	135	1400	3.5	1802/1060	63	③	-30/+60	CCC, CE
	220/230	60	0.80	180	1580	3.5	2060/1212	66	⑤	-30/+60	UL, CE
YWF.B4T-315-136AB10	380/400	50	0.35	136	1430	/	1900/1117	64	④	-30/+60	CCC, CE
	380/400	60	0.40	175	1550	/	2100/1235	66	⑥	-30/+60	UL, CE

