

EC Forward Curved Centrifugal Fan and Blower

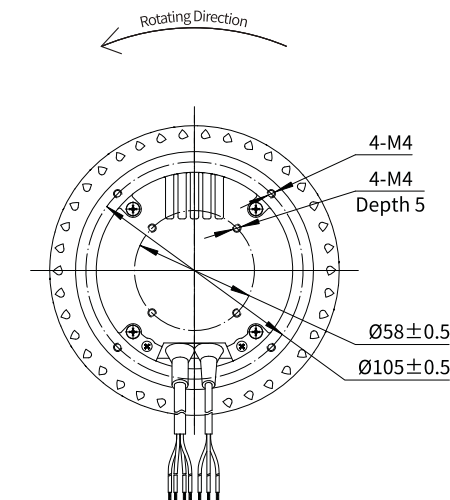
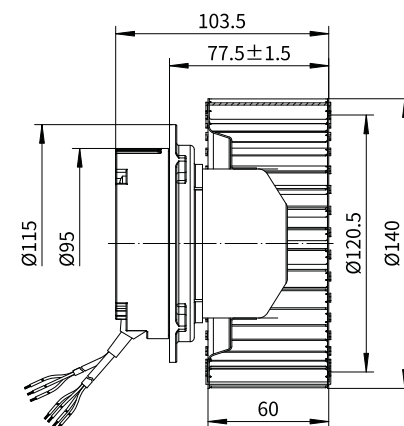
Erp2015
EXCEEDS THE NORM

Motorized Forward Curved Impeller

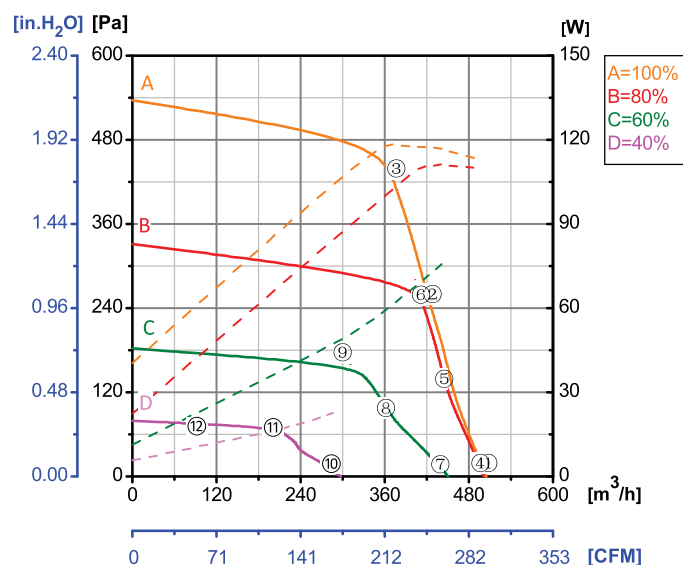


Φ 140-H

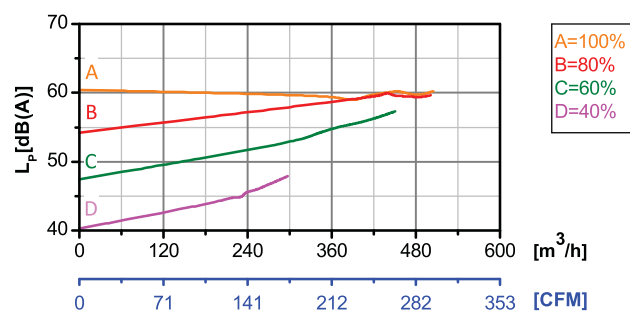
- Rotor Material: Carbon steel
- Housing Material: Carbon steel
- Impeller Material: Galvanized steel sheet
- Ingress Protection: IP44
- Insulation Class: F
- Bearing Type: Maintenance free ball bearing



Performance Curves

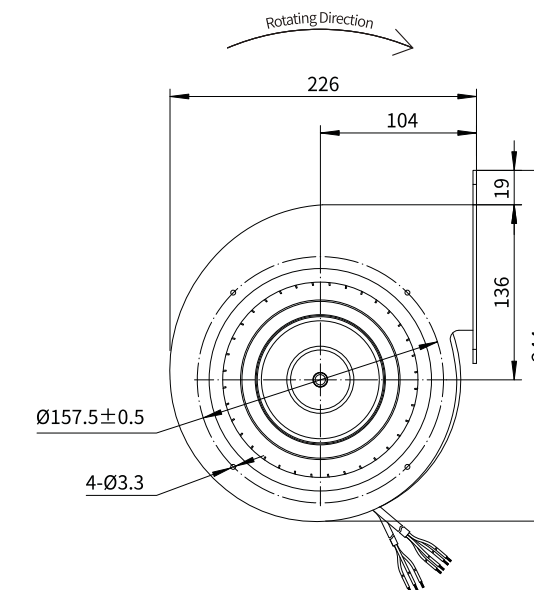
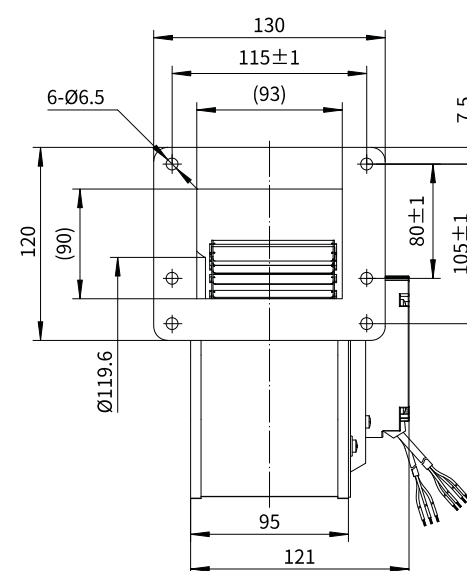


Test Point	Speed	Input Power
	rpm	W
1	2152	112
2	2472	117
3	2719	118
4	2137	109
5	2320	110
6	2436	110
7	1921	77
8	1921	61
9	1911	50
10	1271	23
11	1273	19
12	1272	17



Erp2015 Data:
Efficiency $\eta_{statA} = *% < 125W$
Efficiency grade $N_{actual} = *, N_{target} = 44$
Test report No. : L-20210302-003-014

Blower



Model No.	Voltage	Frequency	Speed	Input Power	Current	Working Temp.	Approvals
	VAC	Hz	RPM	W	A	Min/Max (°C)	
EC72-F140-013	1~220/230	50/60	2250	115	0.94	-20/+60	CCC,CE