



Conventional Carbon Steel Blade Axial Fan

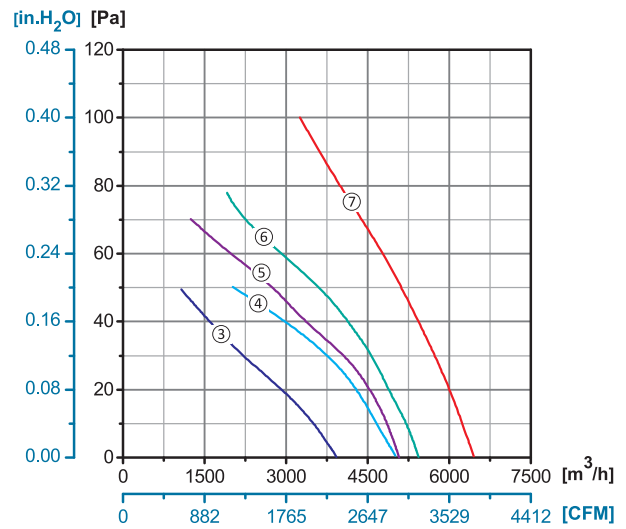
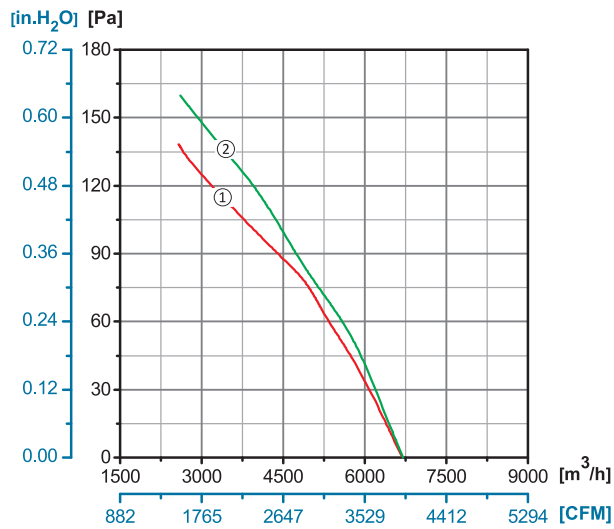
ErP2015
EXCEEDS THE NORM



Φ500-L

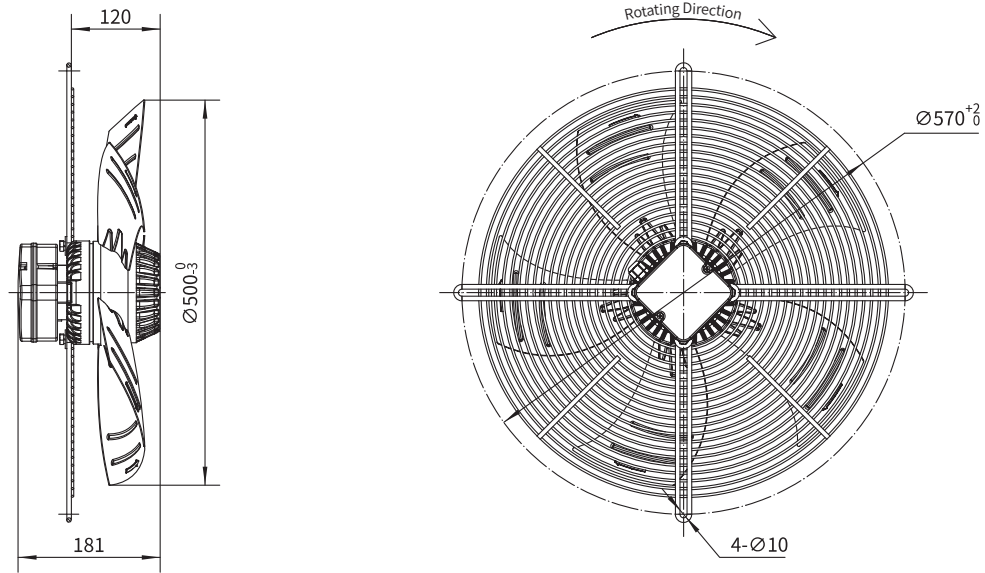
Rotor Material: Aluminum Die-casting
Impeller Material: Carbon Steel
Ingress Protection: IP54
Insulation Class: F
Bearing Type: Maintenance Free Ball Bearing

Performance Curves



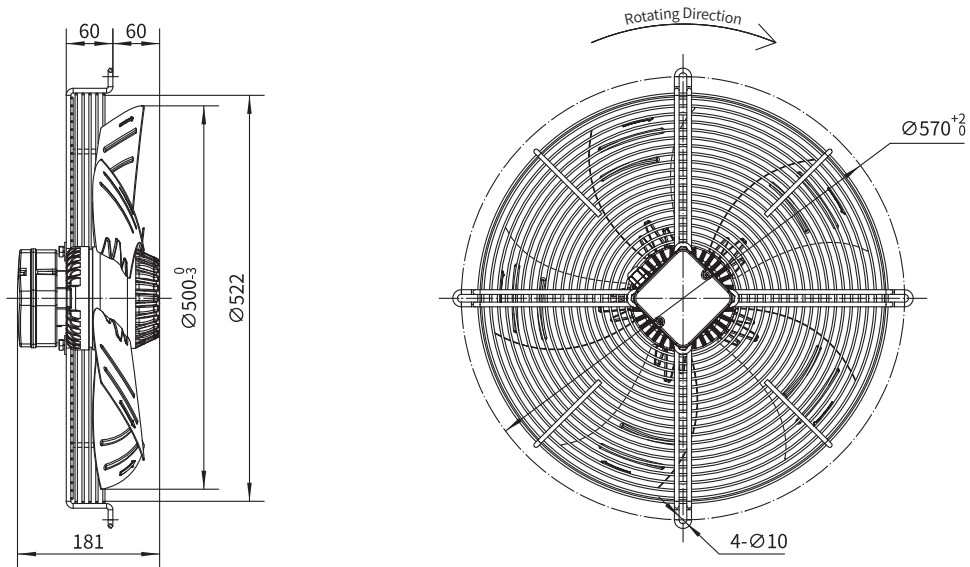
Type B	Type C	Type D	Type E	Type F0
YWF.A4S-500S-5B A00	YWF.A4S-500S-5C A00	YWF.A4S-500S-5D A00	YWF.A4S-500S-5E A00	YWF.A4S-500S-5F A00
YWF.A4T-500S-5B A00	YWF.A4T-500S-5C A00	YWF.A4T-500S-5D A00	YWF.A4T-500S-5E A00	YWF.A4T-500S-5F A00
YWF.A6S-500S-5B A00	YWF.A6S-500S-5C A00	YWF.A6S-500S-5D A00	YWF.A6S-500S-5E A00	YWF.A6S-500S-5F A00
YWF.A6T-500S-5B A00	YWF.A6T-500S-5C A00	YWF.A6T-500S-5D A00	YWF.A6T-500S-5E A00	YWF.A6T-500S-5F A00
YWF.A8T-500S-5B A00	YWF.A8T-500S-5C A00	YWF.A8T-500S-5D A00	YWF.A8T-500S-5E A00	YWF.A8T-500S-5F A00


Type B



Conv. Steel Blade Axial

Type C



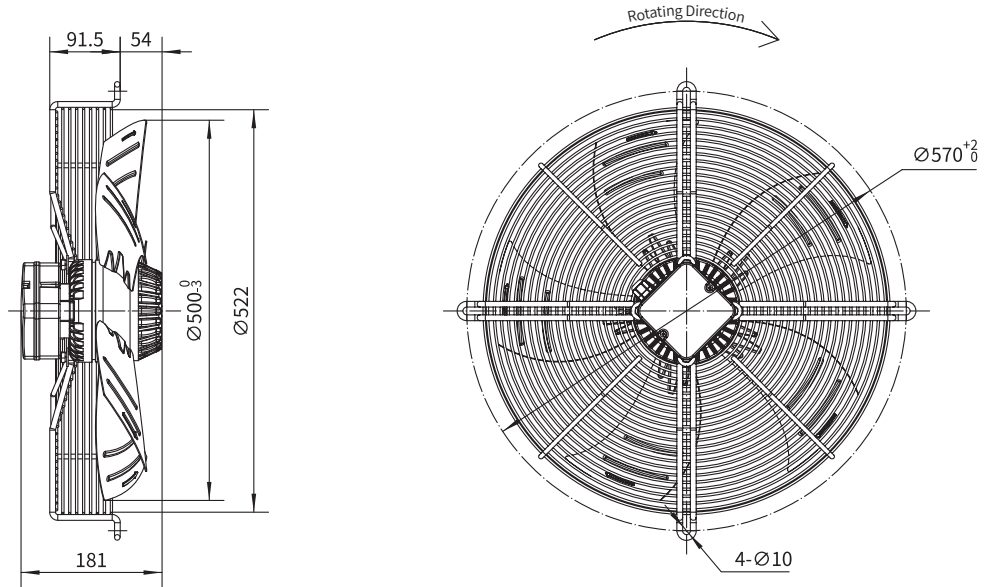
	Voltage	Frequency	Current	Power	Speed	Capacitor	Air Flow (0 Pa)	Noise	Curve	Working Temp.	Approvals
Type F1	V	Hz	A	W	RPM	μF	$[\text{m}^3/\text{h}]/[\text{CFM}]$	dB(A)	No.	Min/Max($^{\circ}\text{C}$)	
YWF.A4S-500S-5F A01	220/230	50	2.00	420	1320	10	6500/3835	69	①	-30/+60	CCC, CE
	220/230	60	2.2	500	1550	10	6800/4012	70	②	-30/+60	CCC, CE, UL
YWF.A4T-500S-5F A01	380/400	50	0.95	420	1350	/	6500/3835	69	①	-30/+60	CCC, CE
	380/400	60	0.90	500	1500	/	6800/4012	63	②	-30/+60	CCC, CE, UL
YWF.A6S-500S-5F A01	220/230	50	1.10	220	920	4	5000/2941	65	④	-30/+60	CCC, CE
	220/230	60	0.92	200	1000	4	5080/2988	66	⑤	-30/+60	CCC, CE, UL
YWF.A6T-500S-5F A01	380/400	50	0.62	220	920	/	5437/3198	65	⑥	-30/+60	CCC, CE
	380/400	60	0.60	275	1100	/	6450/3794	66	⑦	-30/+60	CCC, CE, UL
YWF.A8T-500S-5F A01	380/400	50	0.30	110	700	/	3920/2306	50	③	-30/+60	CCC, CE



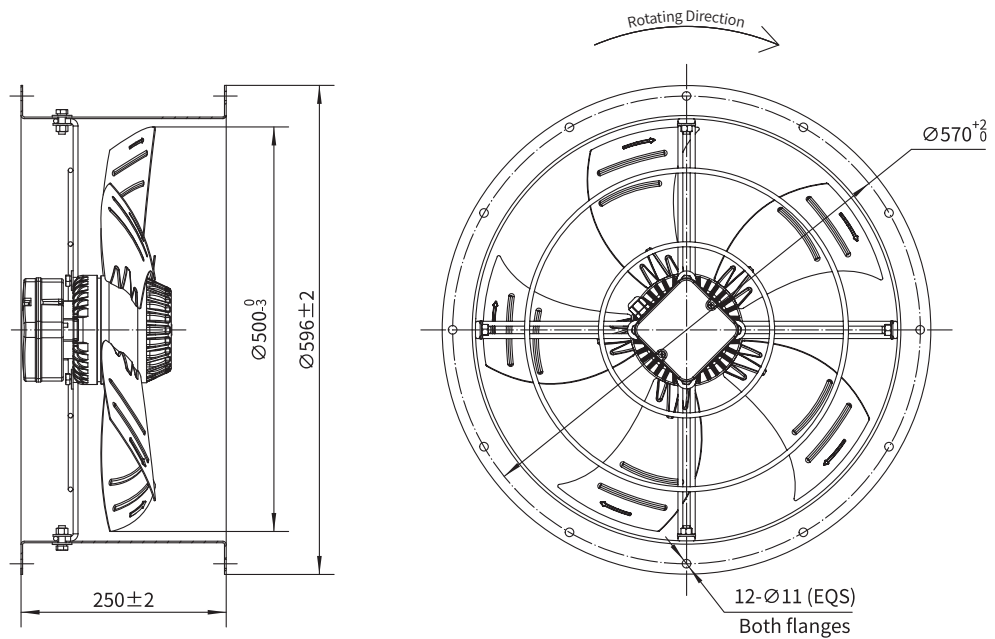
Conventional Carbon Steel Blade Axial Fan

Φ500-L

Type D



Type E

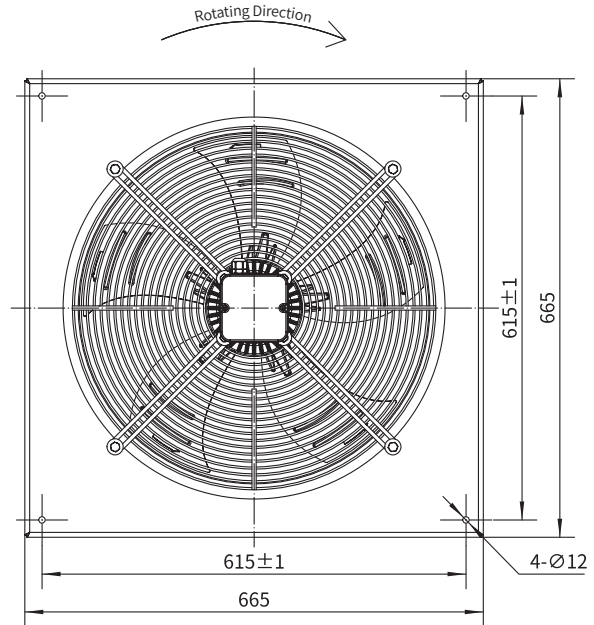
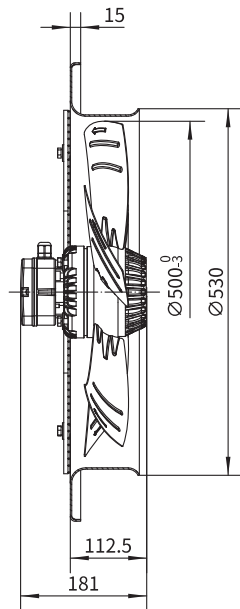




Conventional Carbon Steel Blade Axial Fan

Φ500-L

Type F0



Conv. Steel Blade Axial

Type F1

