

EC Backward Centrifugal Fan with Metal Impeller

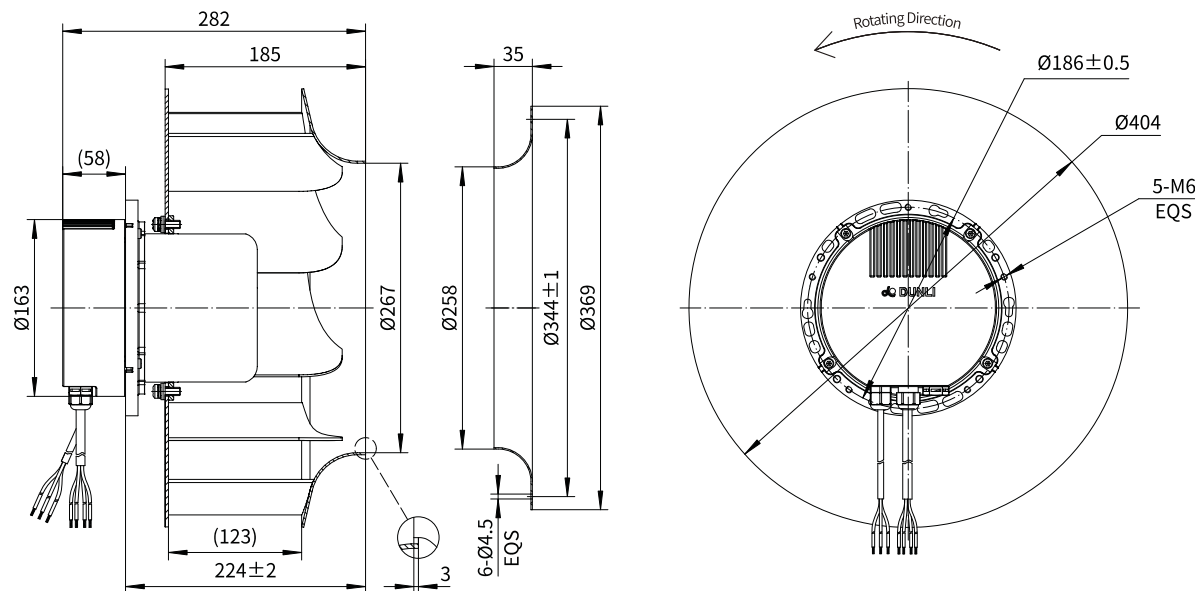
Erp2015  
EXCEEDS THE NORM

Motorized Backward Curved Impeller

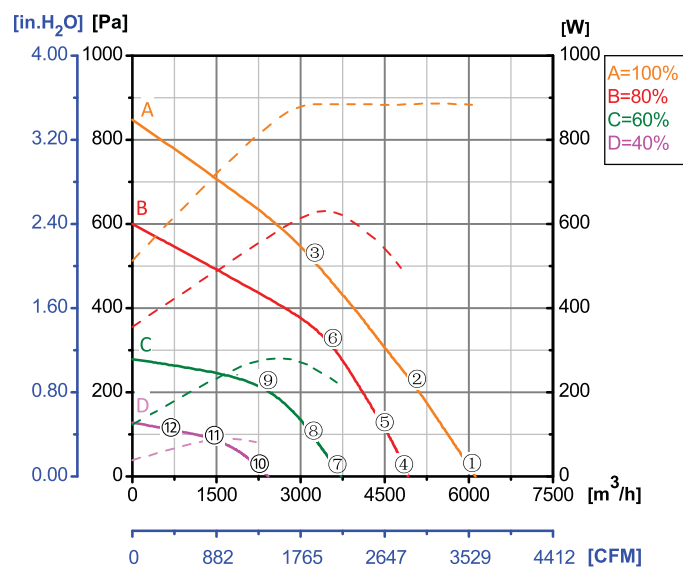


Φ 400 (3-phase)

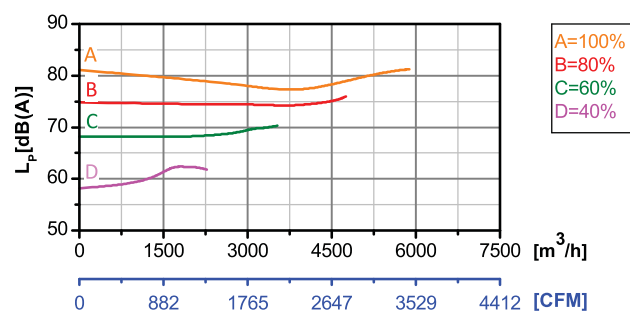
Rotor Material: Carbon steel  
 Impeller Material: Aluminum alloy sheet  
 Ingress Protection: IP54  
 Insulation Class: F  
 Bearing Type: Maintenance free ball bearing



Performance Curves

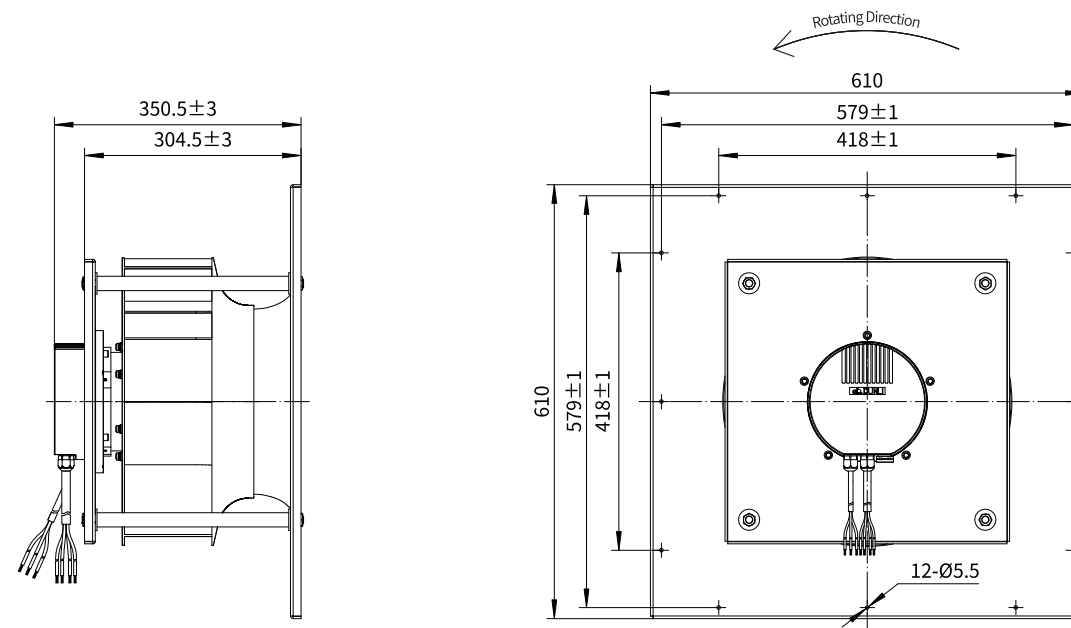


Test Point	Speed	Input Power
	rpm	W
1	1895	883
2	1770	885
3	1712	885
4	1515	469
5	1511	535
6	1516	632
7	1140	215
8	1142	251
9	1144	283
10	746	73
11	745	88
12	747	86



Erp2015 Data:  
 Efficiency  $\eta_{statA}$  = 56.8%  
 Efficiency grade  $N_{actual}$  = 67.9,  $N_{target}$  = 62  
 Test report No. : L-20210302-003-065

With Supporting Rack



Model No.	Voltage	Frequency	Speed	Input Power	Current	Working Temp.	Approvals
	VAC	Hz	RPM	W	A	Min/Max (°C)	
EC137-B400-001	3~380/400	50/60	2000	950	1.65	-20/+60	CCC,CE