

**Aluminum Die-casting Airfoil Blade Axial Fan**

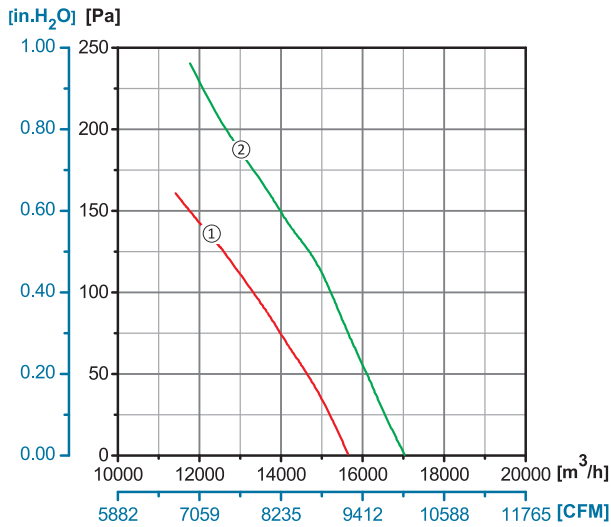
**ErP2015**  
EXCEEDS THE NORM








**Φ630**

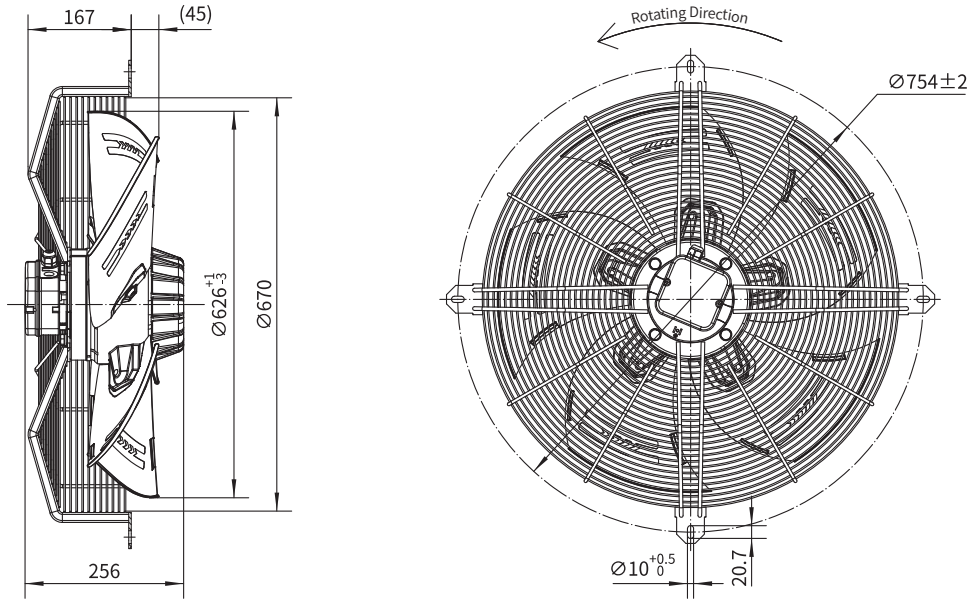
**Rotor Material:** Aluminum Die-casting  
**Impeller Material:** Aluminum Die-casting  
**Ingress Protection:** IP54  
**Insulation Class:** F  
**Bearing Type:** Maintenance Free Ball Bearing

**Performance Curves**

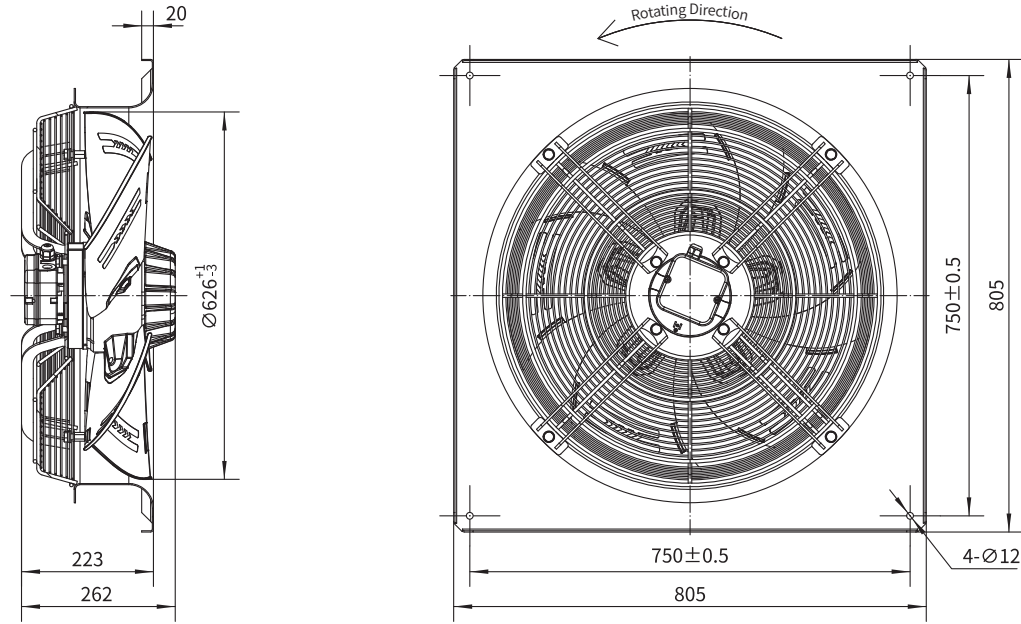


				
Type B	Type C	Type D	Type E	Type F0
/	/	YWFA4T-630S-5D   AZ0	/	/

## Type D



## Type F1



	Voltage	Frequency	Current	Power	Speed	Capacitor	Air Flow (0 Pa)	Noise	Curve	Working Temp.	Approvals
Type F1	V	Hz	A	W	RPM	$\mu\text{F}$	$[\text{m}^3/\text{h}]/[\text{CFM}]$	dB(A)	No.	Min/Max( $^{\circ}\text{C}$ )	
YWF.A4T-630S-5F   AZ0	380/400	50	3.00	1400	1450	/	17200/10120	79	②	-30/+60	CCC, CE
	380/400	50	1.80	1200	1350	/	16000/9410	77	①	-30/+60	CCC, CE