



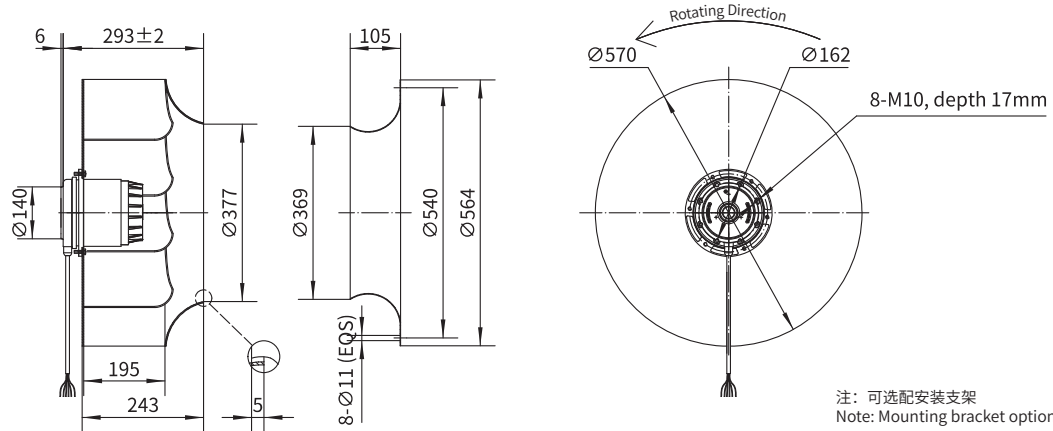
## Backward Curved Centrifugal Fan with Conventional Metal Impeller



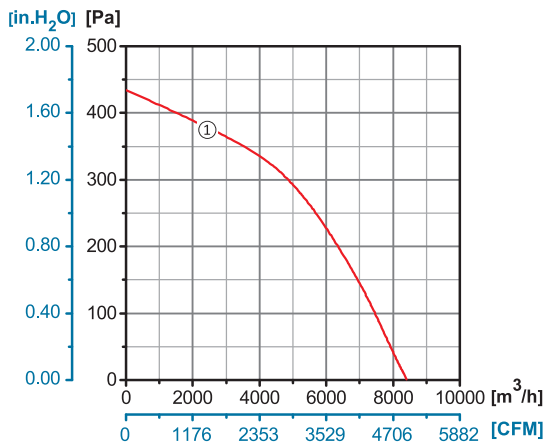
### Φ 560

**Rotor Material:** Aluminum Die-casting  
**Impeller Material:** Aluminum Alloy  
**Ingress Protection:** IP54  
**Insulation Class:** F  
**Bearing Type:** Maintenance Free Ball Bearing

#### Dimensional Drawings



#### Performance Curves



Model No.	Voltage	Frequency	Current	Power	Speed	Capacitor	Air Flow (0 Pa)	Noise	Curve	Working Temp.	Approvals
	V	Hz	A	W	RPM	μF	[m <sup>3</sup> /h]/[CFM]	dB(A)	No.	Min/Max (°C)	
YWF.B6T-560-243AB20	380/400	50	1.40	600	920	/	8400/4941	77	①	-30/+60	CCC, CE

